

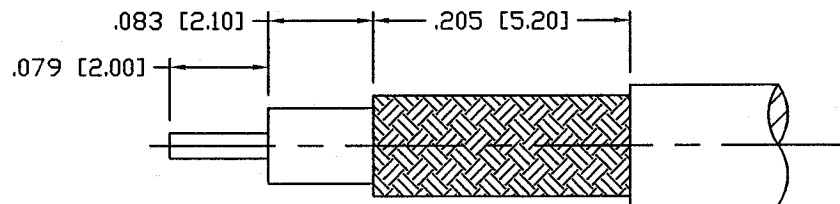
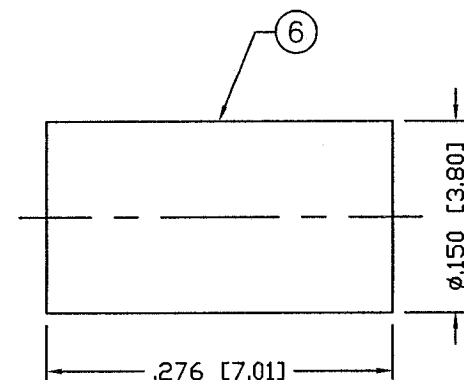
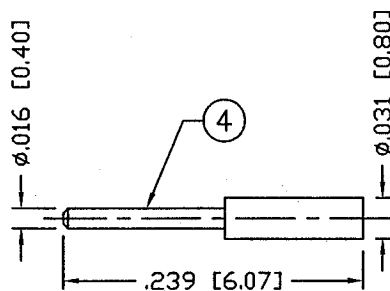
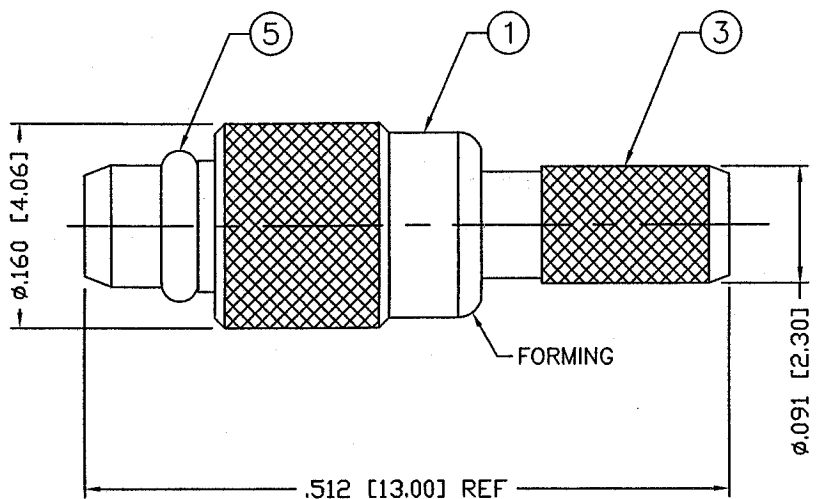
THIS DRAWING CONTAINS INFORMATION PROPRIETARY TO RF INDUSTRIES,
 ANY UNAUTHORIZED USE OF THIS DRAWING IS EXPRESSLY PROHIBITED
 WITHOUT WRITTEN PERMISSION FROM RF INDUSTRIES.
 ANY VIOLATION IS PUNISHABLE UNDER U.S. COPYRIGHT LAWS.

ALL DIMENSIONS ARE REFERENCE ONLY

PART NO.

RMX-9000-1B

| REV | DESCRIPTION | DWN | DATE | APPROVED |
|-----|-----------------------------|-----|---------|----------|
| A | ENGINEERING RELEASE | CZS | 4/1/99 | R. RICE |
| B | CHANGE DRAWING # FROM 9153A | CZS | 8/28/00 | JDMc |
| | | | | |
| | | | | |



RECOMMENDED STRIPPING DIMENSIONS

RECOMMENDED CRIMP SIZE: .130
 CONTACT TO BE SOLDERED

SPECIFICATIONS:

IMPEDANCE: 50 OHMS
 RG-174, 188, 188A, 316/U; ALPHA 9174, 9316;
 BELDEN 8216, 83269, 83284, 84316; TIMES LMR-100A

| | | | | | | |
|----|----------------|-----|---------|----------------|-----------|------|
| 1 | BODY | 1 | BRASS | GOLD, 3 MICRO | 008974 | |
| 2 | INSULATOR | 1 | PTFE | --- | | |
| 3 | FERRULE STUD | 1 | BRASS | GOLD, 3 MICRO | | |
| 4 | CONTACT | 1 | BRASS | GOLD, 30 MICRO | | |
| 5 | RETAINING RING | 1 | Be. Cu. | GOLD, 3 MICRO | | |
| 6 | FERRULE | 1 | COPPER | GOLD, 3 MICRO | | |
| 7 | | | | | | |
| 8 | | | | | | |
| 9 | | | | | | |
| 10 | | | | | | |
| 11 | | | | | | |
| 12 | | | | | | |
| 13 | | | | | | |
| 14 | | | | | | |
| # | DESCRIPTION | QTY | MATRL | FINISH | APPROVALS | DATE |

DRAWN
C. ZUNIGA
 CHECKED
JDMc
 ORJ DRAWN
C. ZUNIGA
 8/28/00
 4/1/99

UNLESS OTHERWISE SPECIFIED:
 1. REMOVE ALL BURRS
 2. BREAK ALL CORNERS & EDGES .005 R. MAX.
 3. CHAMFER 1ST & LAST THREADS 45°
 4. SURFACE ROUGHNESS 63 FINISH MIL-STD-10
 5. DIAMETERS ON COMMON CENTERS TO BE CONCENTRIC WITHIN .002 T.I.R.
 6. ALL DIMENSIONS ARE AFTER PLATING.

DIMENSIONS ARE IN INCHES AND [MILLIMETERS]
 UNLESS OTHERWISE NOTED TOLERANCES ARE:

| DECIMALS | DIAMETER |
|-----------------|-----------------|
| .xxx±.003 [.08] | .xxx±.001 [.03] |
| .xx±.005 [.13] | .xx±.003 [.08] |



7610 MIRAMAR RD
 SAN DIEGO, CA 92126
 (858) 549-6340
 (858) 549-6345 FAX

MMCX CRIMP PLUG

| SIZE | CABLE GROUP | DWG NO. | REV |
|------|-------------|-------------|-----|
| A | B | RMX-9000-1B | B |

SCALE: NTS CAD FILE OUTLINE SHEET 1 OF 1