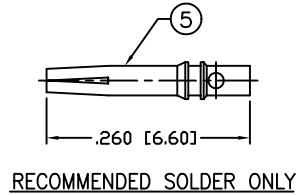
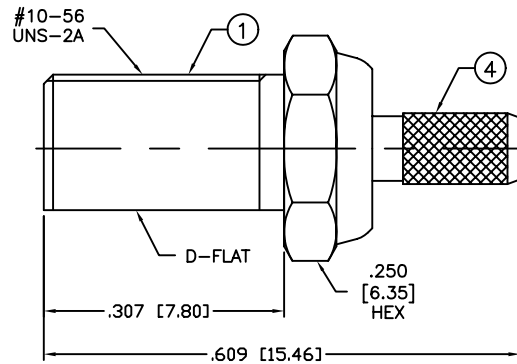
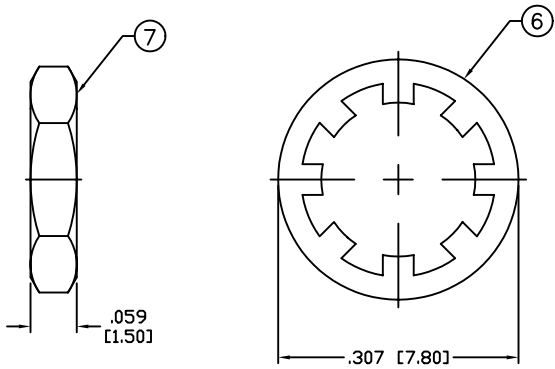


THIS DRAWING CONTAINS INFORMATION PROPRIETARY TO RF INDUSTRIES,  
 ANY UNAUTHORIZED USE OF THIS DRAWING IS EXPRESSLY PROHIBITED  
 WITHOUT WRITTEN PERMISSION FROM RF INDUSTRIES.  
 ANY VIOLATION IS PUNISHABLE UNDER U.S. COPYRIGHT LAWS.

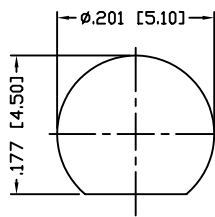
ALL DIMENSIONS ARE REFERENCE ONLY

PART NO.		<b>RMX-8252-1B</b>		
REV	DESCRIPTION	DWN	DATE	APPROVED
-	ENGINEERING RELEASE	CZS	9/8/99	JDMc

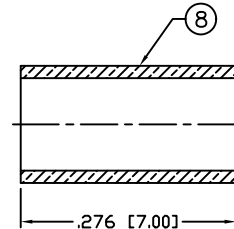


**SPECIFICATIONS:**

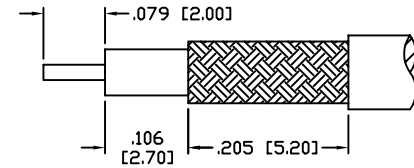
IMPEDANCE: 50 Ohms  
 FREQUENCY RANGE: 0-6 GHz  
 WORKING VOLTAGE: 335 V rms @ sea level  
 VSWR: 1.3 MAX.  
 TEMPERATURE RANGE: -65°C TO 165°C  
 INSULATION RESISTANCE: 1k M Ohms min.  
 FOR RG-174, 188, 188A, 316/U, ALPHA 9174, 9316,  
 BELDEN 8216, 83269, 83284, 84316 & TIMES LMR-100A CABLE



RECOMMENDED MOUNTING HOLE



RECOMMENDED CRIMP DIE: .130"



RECOMMENDED STRIPPING DIM'S

1	BODY	1	BRASS	GOLD, 3μ"	008974	UNLESS OTHERWISE SPECIFIED:
2	INSULATOR	1	PTFE	---		
3	INSULATOR	1	PTFE	---		
4	FERRULE STUD	1	BRASS	GOLD, 3μ"		
5	CONTACT	1	Be. Cu.	GOLD, 30μ"		
6	LOCK WASHER	1	BRASS	GOLD, 3μ"		
7	HEX NUT	1	BRASS	GOLD, 3μ"		
8	FERRULE	1	COPPER	GOLD, 3μ"		
9						
10					DRAWN	DIMENSIONS ARE IN INCHES AND [MILLIMETERS] UNLESS OTHERWISE NOTED TOLERANCES ARE:
11					C. ZUNIGA	
12					CHECKED	
13						
14					ORJ DRAWN	DECIMALS      DIAMETER
					C. ZUNIGA	
#	DESCRIPTION	QTY	MATERIAL	FINISH	APPROVALS	DATE

**RF connectors**  
 DIVISION OF RF INDUSTRIES, LTD.

7610 MIRAMAR RD  
 SAN DIEGO, CA 92126  
 (858) 549-6340  
 (858) 549-6345 FAX

**MCX JACK, CRIMP**

BULKHEAD

SIZE	CABLE GROUP	DWG NO.	REV
A	B	RMX-8252-1B	-
SCALE: NTS		CAD FILE OUTLINE	SHEET 1 OF 1