

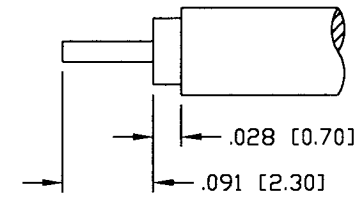
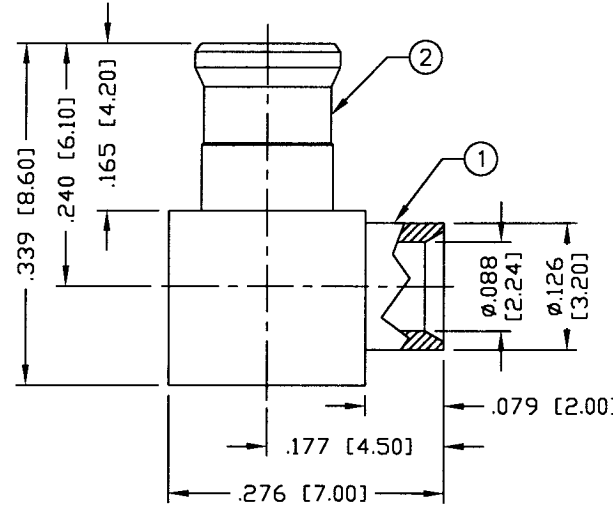
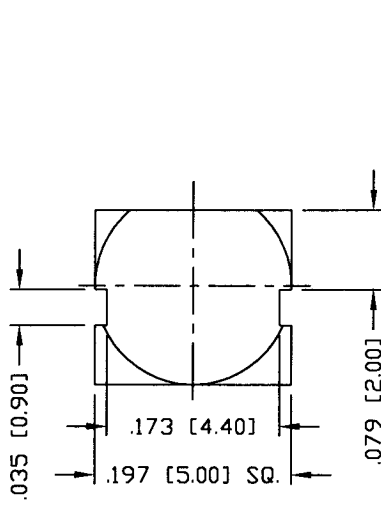
THIS DRAWING CONTAINS INFORMATION PROPRIETARY TO RF INDUSTRIES.  
 ANY UNAUTHORIZED USE OF THIS DRAWING IS EXPRESSLY PROHIBITED  
 WITHOUT WRITTEN PERMISSION FROM RF INDUSTRIES.  
 ANY VIOLATION IS PUNISHABLE UNDER U.S. COPYRIGHT LAWS.

ALL DIMENSIONS ARE REFERENCE ONLY

PART NO.

**RMX-8010-1SR1**

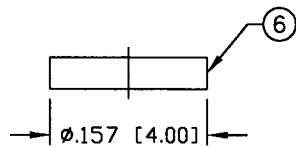
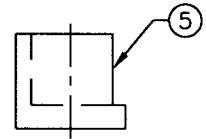
REV	DESCRIPTION	DWN	DATE	APPROVED
-	ENGINEERING RELEASE	CZS	8/24/99	JDMc



RECOMMENDED CABLE STRIP DIMENSIONS

**SPECIFICATIONS:**

IMPEDANCE: 50 Ohms  
 FREQUENCY RANGE: 0-6 GHz  
 WORKING VOLTAGE: 335 V rms @ sea level  
 TEMPERATURE RANGE: -65°C TO 165°C  
 INSULATION RESISTANCE: 1k M Ohms min.  
 FOR .085 SEMI RIGID, RG-405/U & BELDEN 1671A CABLE



1	BODY	1	BRASS	GOLD, 3μ"	008974	
2	MCX BODY	1	BeCu	GOLD, 3μ"		
3	INSULATOR	1	PTFE	---		
4	PIN	1	BRASS	GOLD, 30μ"		
5	INSULATOR	1	DELTRIN	---		
6	PRESS COVER	1	BRASS	GOLD, 3μ"		
7						
8						
9						
10						
11						
12						
13						
14						
#	DESCRIPTION	QTY	MATERIAL	FINISH	APPROVALS	DATE

DRAWN	C. ZUNIGA	11/20/03
CHECKED	<i>JDM</i>	11/20/03
ORJ DRAWN	C. ZUNIGA	11/20/03

UNLESS OTHERWISE SPECIFIED:  
  
 DIMENSIONS ARE IN INCHES AND [MILLIMETERS]  
 UNLESS OTHERWISE NOTED TOLERANCES ARE:  
 DECIMALS      DIAMETER

**RF connectors**  
 DIVISION OF RF INDUSTRIES, LTD.  
 7610 MIRAMAR RD  
 SAN DIEGO, CA 92126  
 (858) 549-6340  
 (858) 549-6345 FAX

**MCX PLUG**

RIGHT ANGLE, SOLDER

SIZE	CABLE GROUP	DWG NO.	REV
A	SR1	RMX-8010-1SR1	-
SCALE: NTS		CAD FILE OUTLINE	SHEET 1 OF 1