

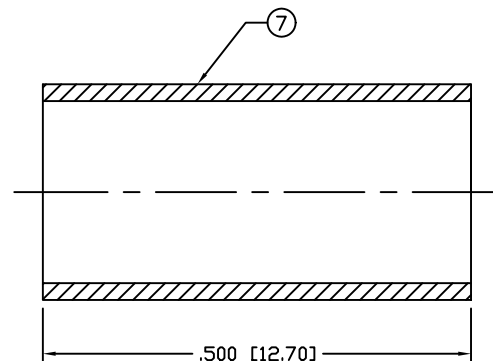
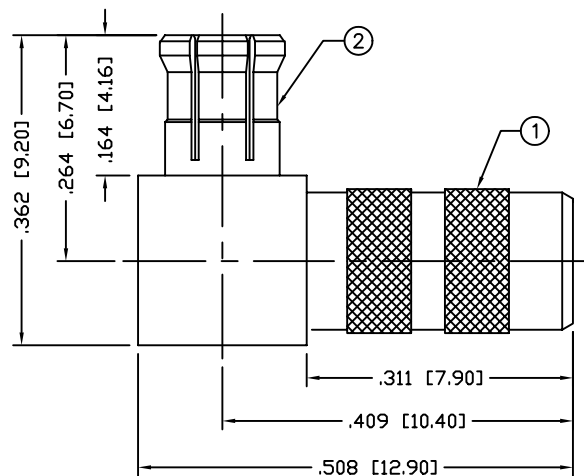
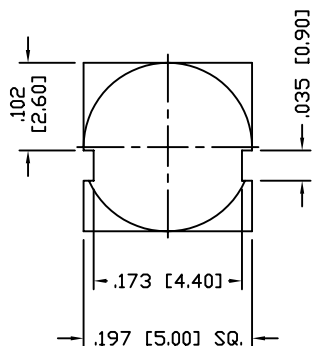
THIS DRAWING CONTAINS INFORMATION PROPRIETARY TO RF INDUSTRIES,
 ANY UNAUTHORIZED USE OF THIS DRAWING IS EXPRESSLY PROHIBITED
 WITHOUT WRITTEN PERMISSION FROM RF INDUSTRIES.
 ANY VIOLATION IS PUNISHABLE UNDER U.S. COPYRIGHT LAWS.

ALL DIMENSIONS ARE REFERENCE ONLY

PART NO.

RMX-8010-1C

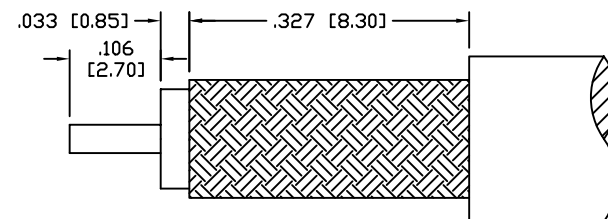
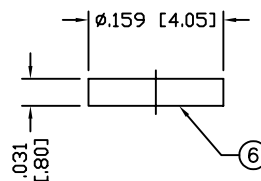
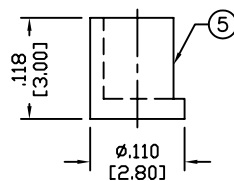
REV	DESCRIPTION	DWN	DATE	APPROVED
-	ENGINEERING RELEASE	CZS	3/9/04	JDMc



RECOMMENDED CRIMP DIE: .213"

SPECIFICATIONS:

IMPEDANCE: 50 Ohms
 FREQUENCY RANGE: 0-6 GHz
 WORKING VOLTAGE: 335 V rms @ sea level
 VSWR: 1.5 MAX.
 TEMPERATURE RANGE: -65°C TO 165°C
 INSULATION RESISTANCE: 1k M Ohms min.
 FOR RG-58, 58A, 58C, 141, 141A, BELDEN 8240, 9907
 8259, 8262, 9201, 9203, 9310, 9311 & COMM/SCOPE 0268



RECOMMENDED STRIPPING DIMENSIONS

NOTE: ATTACH CABLE TO CONNECTOR BY
 SOLDERING THE CABLE INNER CONDUCTOR
 TO THE PIN SLOT INSIDE THE CONNECTOR

1	FERRULE STUD	1	BRASS	GOLD, 3μ"	008974	UNLESS OTHERWISE SPECIFIED:
2	BODY	1	Be. Cu.	GOLD, 3μ"		
3	INSULATOR	1	PTFE	---		
4	PIN	1	BRASS	GOLD, 30μ"		
5	INSULATOR	1	DELTRIN	---		
6	COVER	1	BRASS	GOLD, 3μ"		
7	FERRULE	1	BRASS	GOLD, 3μ"		
8						
9						
10					DRAWN	
11					C. ZUNIGA	9/15/04
12					CHECKED	
13					ORJ DRAWN	
14					C. ZUNIGA	9/15/04
#	DESCRIPTION	QTY	MATERIAL	FINISH	APPROVALS	DATE

UNLESS OTHERWISE SPECIFIED:

DIMENSIONS ARE IN INCHES
 AND [MILLIMETERS]

UNLESS OTHERWISE NOTED
 TOLERANCES ARE:

DECIMALS DIAMETER

RFconnectors
 DIVISION OF RF INDUSTRIES, LTD.

7610 MIRAMAR RD
 SAN DIEGO, CA 92126
 (858) 549-6340
 (858) 549-6345 FAX

MCX PLUG, CRIMP, R/A

SIZE A	CABLE GROUP C	DWG NO. RMX-8010-1C	REV -
SCALE: NTS	CAD FILE OUTLINE	SHEET 1 OF 1	