

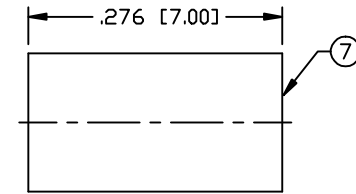
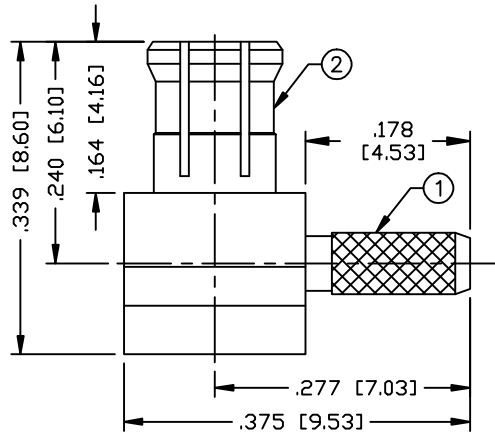
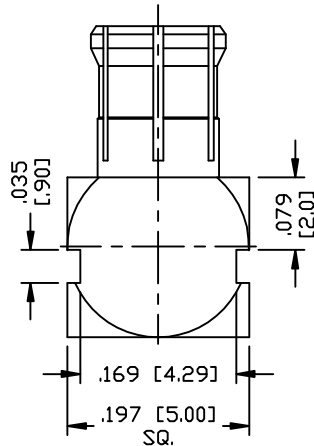
THIS DRAWING CONTAINS INFORMATION PROPRIETARY TO RF INDUSTRIES,
 ANY UNAUTHORIZED USE OF THIS DRAWING IS EXPRESSLY PROHIBITED
 WITHOUT WRITTEN PERMISSION FROM RF INDUSTRIES.
 ANY VIOLATION IS PUNISHABLE UNDER U.S. COPYRIGHT LAWS.

ALL DIMENSIONS ARE REFERENCE ONLY

PART NO.

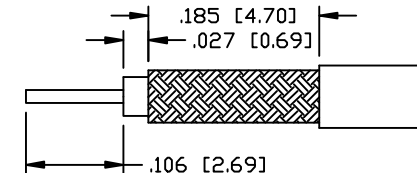
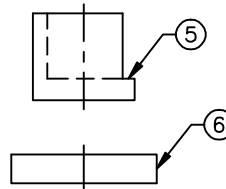
RMX-8010-1A

REV	DESCRIPTION	DWN	DATE	APPROVED
-	ENGINEERING RELEASE	CZS	01/12/02	JDMc



RECOMMENDED CRIMP DIE: .130"

NOTE: ATTACH CABLE TO CONNECTOR BY
 SOLDERING THE CABLE INNER CONDUCTOR
 TO THE PIN SLOT INSIDE THE CONNECTOR



RECOMMENDED STRIPPING DIMENSIONS

SPECIFICATIONS:

IMPEDANCE: 50 Ohms
 FREQUENCY RANGE: 0-6 GHz
 VSWR: 1.4 MAX.
 WORKING VOLTAGE: 335 VRMS MAX. AT SEA LEVEL
 TEMPERATURE RANGE: -65 C. TO +165 C.
 FOR RG-178, 178A, 178B, 196 & 196A/U CABLE

1	BODY	1	BRASS	GOLD, 3μ
2	MCX BODY	1	Be. Cu.	GOLD, 3μ
3	INSULATOR	1	PTFE	---
4	PIN	1	BRASS	GOLD, 30μ
5	INSULATOR	1	DELFIN	---
6	PRESS CAP	1	BRASS	GOLD, 3μ
7	FERRULE	1	COPPER	GOLD, 3μ
8				
9				
10				
11				
12				
13				
14				

008974	
DRAWN C. ZUNIGA	06/04/08
CHECKED	
ORJ DRAWN C. ZUNIGA	06/04/08

UNLESS OTHERWISE SPECIFIED:
 1. REMOVE ALL BURRS
 2. BREAK ALL CORNERS & EDGES .005 R. MAX.
 3. CHAMFER 1ST & LAST THREADS 45°
 4. SURFACE ROUGHNESS 63 FINISH MIL-STD-10
 5. DIAMETERS ON COMMON CENTERS TO BE CONCENTRIC WITHIN .002 T.I.R.
 6. ALL DIMENSIONS ARE AFTER PLATING.

DIMENSIONS ARE IN INCHES AND [MILLIMETERS]
 UNLESS OTHERWISE NOTED TOLERANCES ARE:

DECIMALS	DIAMETER
.xxx±.003 [.08]	.xxx±.001 [.03]
.xx±.005 [.13]	.xx±.003 [.08]

RFconnectors 7610 MIRAMAR RD
 SAN DIEGO, CA 92126
 (858) 549-6340
 DIVISION OF RF INDUSTRIES, LTD. (858) 549-6345 FAX

MCX PLUG, CRIMP

RIGHT ANGLE

SIZE	CABLE GROUP	DWG NO.	REV
A	A	RMX-8010-1A	-

SCALE: NTS CAD FILE OUTLINE SHEET 1 OF 1