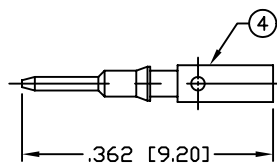
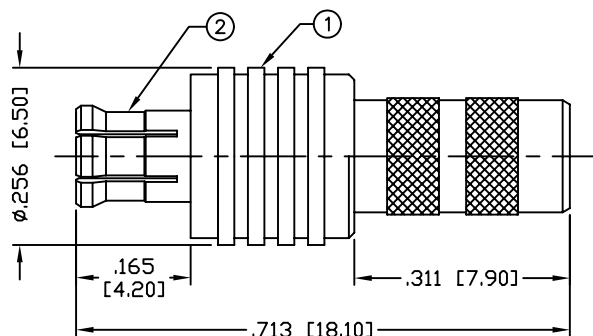


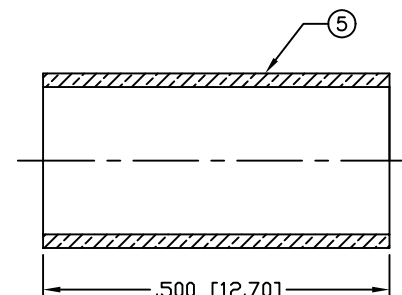
THIS DRAWING CONTAINS INFORMATION PROPRIETARY TO RF INDUSTRIES,
 ANY UNAUTHORIZED USE OF THIS DRAWING IS EXPRESSLY PROHIBITED
 WITHOUT WRITTEN PERMISSION FROM RF INDUSTRIES.
 ANY VIOLATION IS PUNISHABLE UNDER U.S. COPYRIGHT LAWS.

ALL DIMENSIONS ARE REFERENCE ONLY

| | | | | |
|----------|---------------------|--------------------|---------|----------|
| PART NO. | | RMX-8000-1C | | |
| REV | DESCRIPTION | DWN | DATE | APPROVED |
| - | ENGINEERING RELEASE | CZS | 3/18/04 | JDMc |
| | | | | |
| | | | | |



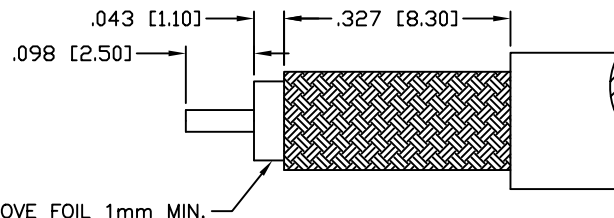
RECOMMENDED PIN TO BE SOLDERED



RECOMMENDED CRIMP DIE: .213"

SPECIFICATIONS:

IMPEDANCE: 50 Ohms
 FREQUENCY RANGE: 0-6 GHz
 WORKING VOLTAGE: 335 V rms @ sea level
 VSWR: 1.3 MAX.
 TEMPERATURE RANGE: -65°C TO 165°C
 INSULATION RESISTANCE: 1k M Ohms min.
 FOR RG-58, 58A, 58C, 141, 141A, BELDEN 8240, 9907
 8259, 8262, 9201, 9203, 9310, 9311 & COMM/SCOPE 0268



RECOMMENDED STRIPPING DIMENSIONS

| | | | | | | |
|----|-------------|-----|----------|------------------------|-----------|--|
| 1 | BODY | 1 | BRASS | GOLD, 3μ ^m | 008974 | UNLESS OTHERWISE SPECIFIED: |
| 2 | PRESS BODY | 1 | Be. Cu. | GOLD, 3μ ^m | | |
| 3 | INSULATOR | 1 | PTFE | --- | | |
| 4 | PIN | 1 | BRASS | GOLD, 30μ ^m | | |
| 5 | FERRULE | 1 | BRASS | GOLD, 3μ ^m | | |
| 6 | | | | | | |
| 7 | | | | | | |
| 8 | | | | | | |
| 9 | | | | | | |
| 10 | | | | | DRAWN | DIMENSIONS ARE IN INCHES AND [MILLIMETERS] UNLESS OTHERWISE NOTED TOLERANCES ARE: |
| 11 | | | | | C. ZUNIGA | |
| 12 | | | | | CHECKED | |
| 13 | | | | | ORJ DRAWN | DECIMALS DIAMETER |
| 14 | | | | | C. ZUNIGA | |
| # | DESCRIPTION | QTY | MATERIAL | FINISH | APPROVALS | DATE |

RF connectors
 DIVISION OF RF INDUSTRIES, LTD.

7610 MIRAMAR RD
 SAN DIEGO, CA 92126
 (858) 549-6340
 (858) 549-6345 FAX

MCX PLUG, CRIMP

| | | | |
|--------|-------------|--------------|---------|
| SIZE | CABLE GROUP | DWG NO. | REV |
| A | C | RMX-8000-1C | - |
| SCALE: | NTS | CAD FILE | OUTLINE |
| | | SHEET 1 OF 1 | |