

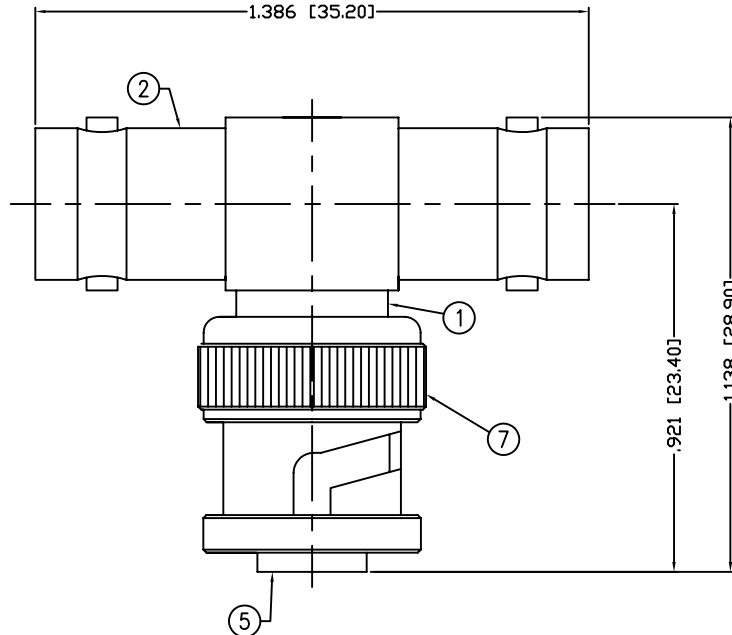
THIS DRAWING CONTAINS INFORMATION PROPRIETARY TO RF INDUSTRIES,  
 ANY UNAUTHORIZED USE OF THIS DRAWING IS EXPRESSLY PROHIBITED  
 WITHOUT WRITTEN PERMISSION FROM RF INDUSTRIES.  
 ANY VIOLATION IS PUNISHABLE UNDER U.S. COPYRIGHT LAWS.

ALL DIMENSIONS ARE REFERENCE ONLY

PART NO.

**RHV-130**

REV	DESCRIPTION	DWN	DATE	APPROVED
-	ENGINEERING RELEASE	JDM	1/5/04	JDMc
A	UPDATE SPECS	CZS	7/6/05	JDMc
B	UPDATE ELECTRICAL SPECS	CZS	8/29/05	JDMc



**SPECIFICATIONS:**

IMPEDANCE: Non-Constant  
 FREQUENCY RANGE: 0-50 MHz  
 INSULATION RESISTANCE: 5k M Ohms min.  
 WORKING VOLTAGE: 1600 V rms @ sea level  
 TEMPERATURE RANGE: -65°C TO 165°C  
 DIELECTRIC WITHSTANDING VOLTAGE: 5K V RMS MIN.  
 MATING CHARACTERISTICS: PER MIL-STD-348

1	BODY	1	BRASS	NICKEL, 80 μ"	000486	UNLESS OTHERWISE SPECIFIED:
2	BODY	1	BRASS	NICKEL, 80 μ"		
3	CONTACT	1	BRASS	GOLD, 3 μ"		
4	PIN	1	BRASS	GOLD, 3 μ"		
5	DIELECTRIC	1	PTFE	WHITE		
6	DIELECTRIC	1	PTFE	WHITE		
7	SHELL	1	BRASS	NICKEL, 80 μ"		
8	WASHER	1	BRASS	NICKEL, 80 μ"		
9	SPRING	1	SK-5	NICKEL, 80 μ"		
10	SPLIT LCK WSH	1	BRASS	NICKEL, 80 μ"		
11	GASKET	1	RUBBER	RED		
12						
13						
14						
#	DESCRIPTION	QTY	MATRL	FINISH	APPROVALS	DATE

DRAWN  
C. ZUNIGA  
CHECKED

7/6/05

ORJ DRAWN  
JDMc

1/5/04

UNLESS OTHERWISE SPECIFIED:

DIMENSIONS ARE IN INCHES  
 AND [MILLIMETERS]  
 UNLESS OTHERWISE NOTED  
 TOLERANCES ARE:

DECIMALS

DIAMETER

**RFconnectors**  
 DIVISION OF RF INDUSTRIES, LTD.

7610 MIRAMAR RD  
 SAN DIEGO, CA 92126  
 (858) 549-6340  
 (858) 549-6345 FAX

**MHV "T" F-M-F**

ADAPTER

SIZE	CABLE GROUP	DWG NO.	REV
A	N/A	RHV-130	B

SCALE: NTS

CAD FILE OUTLINE

SHEET 1 OF 1