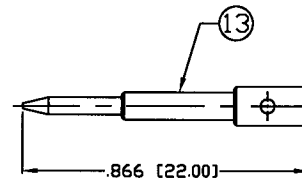
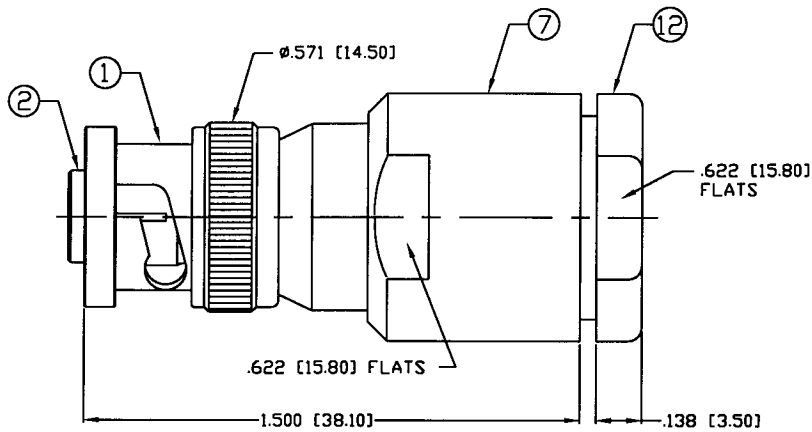


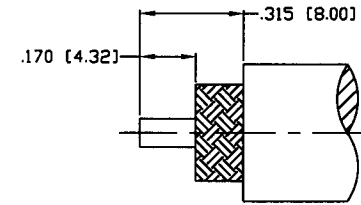
THIS DRAWING CONTAINS INFORMATION PROPRIETARY TO RF INDUSTRIES,  
 ANY UNAUTHORIZED USE OF THIS DRAWING IS EXPRESSLY PROHIBITED  
 WITHOUT WRITTEN PERMISSION FROM RF INDUSTRIES.  
 ANY VIOLATION IS PUNISHABLE UNDER U.S. COPYRIGHT LAWS.

ALL DIMENSIONS ARE REFERENCE ONLY

PART NO.		<b>RHV-100-E</b>		
REV	DESCRIPTION	DWN	DATE	APPROVED
-	ENGINEERING RELEASE	GGG	3/15/02	JDMc



RECOMMENDED CRIMP DIE: .100"



RECOMMENDED STRIPPING DIMENSIONS

**SPECIFICATIONS:**

IMPEDANCE: Non-Constant  
 WORKING VOLTAGE: 5K V rms @ sea level  
 TEMPERATURE RANGE: -65°C TO 85°C  
 INSULATION RESISTANCE: 5k M Ohms min.  
 FOR RG-8, 8A, 213/U, ALPHA 9008, 9213, BELDEN 8267, 9251,  
 9880, 89880, INTERCOMP 4085, 22132, TIMES AA-4478


1	SHELL	1	BRASS	NICKEL, 70μ"
2	INSULATOR	1	PTFE	----
3	GASKET	1	SILICONE	----
4	WASHER	1	BRASS	NICKEL, 70μ"
5	SPRING	1	SK-5	NICKEL, 70μ"
6	WASHER	1	BRASS	NICKEL, 70μ"
7	BODY	1	BRASS	NICKEL, 70μ"
8	WASHER	1	BRASS	NICKEL, 70μ"
9	SLEEVE	1	BRASS	NICKEL, 70μ"
10	GASKET	1	SILICONE	----
11	WASHER	1	BRASS	NICKEL, 70μ"
12	NUT	1	BRASS	NICKEL, 70μ"
13	PIN	1	BRASS	GOLD, 3μ"
14				
#	DESCRIPTION	QTY	MATRL	FINISH

007777	DRAWN C. ZUNIGA	8/22/02
	CHECKED <i>JDM</i>	8-22-02
	ORJ DRAWN G. GALLEGOS	8/22/96
APPROVALS	DATE	

UNLESS OTHERWISE SPECIFIED:  
 1. REMOVE ALL BURRS  
 2. BREAK ALL CORNERS & EDGES .005 R. MAX.  
 3. CHAMFER 1ST & LAST THREADS 45°  
 4. SURFACE ROUGHNESS 63 FINISH MIL-STD-10  
 5. DIAMETERS ON COMMON CENTERS TO BE CONCENTRIC WITHIN .002 T.I.R.  
 6. ALL DIMENSIONS ARE AFTER PLATING.

DIMENSIONS ARE IN INCHES AND [MILLIMETERS]  
 UNLESS OTHERWISE NOTED TOLERANCES ARE:  
 DECIMALS      DIAMETER  
 .xxx±.003 [.08]      .xxx±.001 [.03]  
 .xx±.005 [.13]      .xx±.003 [.08]

7610 MIRAMAR RD  
 SAN DIEGO, CA 92126  
 (858) 549-6340  
 (858) 549-6345 FAX



DIVISION OF RF INDUSTRIES, LTD.

## MHV PLUG CLAMP

SIZE <b>A</b>	CABLE GROUP <b>E</b>	DWG NO. <b>RHV-100-E</b>	REV <b>-</b>
SCALE: NTS		CAD FILE OUTLINE	SHEET 1 OF 1