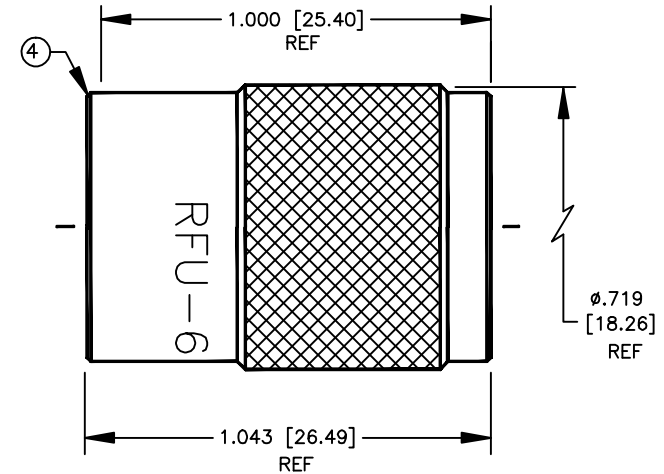
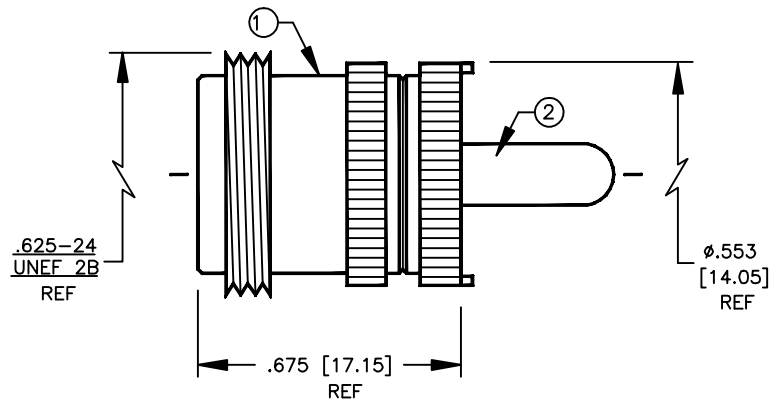


SPECIFICATION CONTROL DRAWING

THIS DRAWING CONTAINS INFORMATION PROPRIETARY TO RF INDUSTRIES, LTD. ANY UNAUTHORIZED USE OF THIS DRAWING IS EXPRESSLY PROHIBITED ANY VIOLATION IS PUNISHABLE UNDER U.S. COPYRIGHT LAWS.

REV	DESCRIPTION	DWN	DATE	APPROVED
A	ENGINEERING RELEASE	PB	11/19/92	J. BENZ
B	CHANGE BODY LENGTH AND PIN LENGTH	KMM		



SPECIFICATIONS:

IMPEDANCE: NON-CONSTANT
 VOLTAGE RATING: 335 VOLTS PEAK
 FREQUENCY RANGE: 0-500 MHz

DIMENSIONS ARE IN INCHES OVER MILLIMETERS.

UNLESS OTHERWISE NOTED TOLERANCES ARE:
 DECIMALS ANGLES

DRAWN
 K. MAXWELL 12/9/93

CHECKED

ISSUED
 J. BENZ 12/9/93

ORJ DRAWN
 P. BREAUX 11/19/92

APPROVALS DATE



7620 MIRAMAR RD
 SAN DIEGO, CA 92126
 (619)549-6340
 (619)549-6345 FAX

RFU-645

MINI UHF MALE TO UHF MALE ADAPTER

ITEM	DESCRIPTION	QTY	MATERIAL	FINISH
4	SHELL	1	BRASS	NICKEL
	DIELECTRIC	1	DELRIN	NONE
2	CONTACT	1	BRASS	SILVER
1	BODY	1	BRASS	NICKEL

SIZE	CABLE GROUP	DWG NO.	REV
A	N/A	RFU-645	B
SCALE: 2:1		CAD FILE ARC117\7825B	SHEET 1 OF 1