

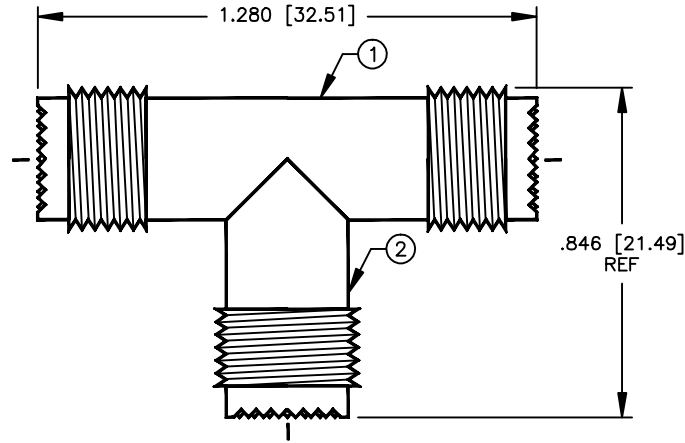
SPECIFICATION CONTROL DRAWING

THIS DRAWING CONTAINS INFORMATION PROPRIETARY TO RF INDUSTRIES, LTD. ANY UNAUTHORIZED USE OF THIS DRAWING IS EXPRESSLY PROHIBITED. ANY VIOLATION IS PUNISHABLE UNDER U.S. COPYRIGHT LAWS.

REV	DESCRIPTION	DWN		
A	ENGINEERING RELEASE	-	8/20/85	J. BENZ
B	CHANGE CONTACTS TO SILVER PLATING	KMM	9/9/97	R. RICE

ALL DIMENSIONS ARE REFERENCE ONLY

007777



SPECIFICATIONS:

IMPEDANCE: 50 OHMS
 WORKING VOLTAGE: 335 VRMS @ SEA LEVEL
 FREQUENCY RANGE: 0-2.5 GHz

DIMENSIONS ARE IN INCHES AND [MILLIMETERS]

UNLESS OTHERWISE NOTED TOLERANCES ARE:

DECIMALS DIAMETER

RFconnectors
 DIVISION OF RF INDUSTRIES, LTD.

7610 MIRAMAR RD
 SAN DIEGO, CA 92126
 (619)549-6340
 (619)549-6345 FAX

RFU-632

MINI UHF "T" ADAPTER, TRIPLE FEMALE

ITEM	DESCRIPTION	QTY	MATERIAL	FINISH
6	PRESS FIT WASHER	2	BRASS	NICKEL
5	DIELECTRIC	3	PTFE	NONE
4	CONTACT	1	BRASS	SILVER
3	CONTACT	1	BRASS	SILVER
2	BODY	1	BRASS	NICKEL
1	BODY	1	BRASS	NICKEL

DRAWN	K. MAXWELL	9/9/97
CHECKED		
ORJ DRAWN	-	8/20/85
APPROVALS		DATE

SIZE	CABLE GROUP	DWG NO.	REV
A	N/A	8751	B

SCALE: 2:1

CAD FILE 13ARC B

SHEET 1 OF 1