

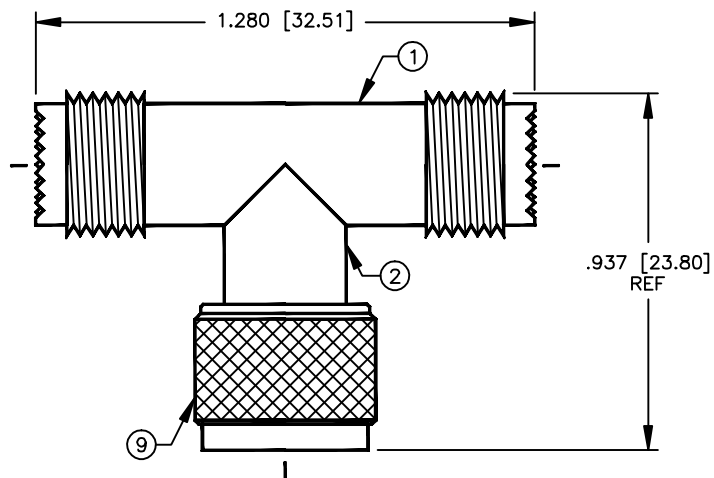
# SPECIFICATION CONTROL DRAWING

THIS DRAWING CONTAINS INFORMATION PROPRIETARY TO RF INDUSTRIES, LTD. ANY UNAUTHORIZED USE OF THIS DRAWING IS EXPRESSLY PROHIBITED. ANY VIOLATION IS PUNISHABLE UNDER U.S. COPYRIGHT LAWS.

REV	DESCRIPTION	DWN	DATE	APPROVED
A	ENGINEERING RELEASE	CZS	7/28/98	R. RICE

ALL DIMENSIONS ARE REFERENCE ONLY

007777



## SPECIFICATIONS:

IMPEDANCE: 50 OHMS  
 WORKING VOLTAGE: 335 VRMS @ SEA LEVEL  
 FREQUENCY RANGE: 0-2.5 GHz

ITEM	DESCRIPTION	QTY	MATERIAL	FINISH
9	SHELL	1	BRASS	NICKEL
8	PRESS FIT WASHER	1	BRASS	NICKEL
7	RETAINING RING	1	BRASS	NICKEL
6	DIELECTRIC	1	PTFE	NONE
5	DIELECTRIC	2	PTFE	NONE
4	CONTACT	1	BRASS	SILVER
3	CONTACT	1	BRASS	SILVER
2	BODY	1	BRASS	NICKEL
1	BODY	1	BRASS	NICKEL

DIMENSIONS ARE IN INCHES AND [MILLIMETERS]

UNLESS OTHERWISE NOTED TOLERANCES ARE:  
 DECIMALS DIAMETER

DRAWN	C. ZUNIGA	7/28/98
CHECKED		
ORJ DRAWN	C. ZUNIGA	7/28/98
APPROVALS		DATE

**RFconnectors**  
 DIVISION OF RF INDUSTRIES, LTD.

7610 MIRAMAR RD  
 SAN DIEGO, CA 92126  
 (619)549-6340  
 (619)549-6345 FAX

## RFU-631

MINI UHF "T" ADAPTER, FEMALE-FEMALE-MALE

SIZE	CABLE GROUP	DWG NO.	REV
A	N/A	8945	A
SCALE:	2:1	CAD FILE	13ARC B
			SHEET 1 OF 1