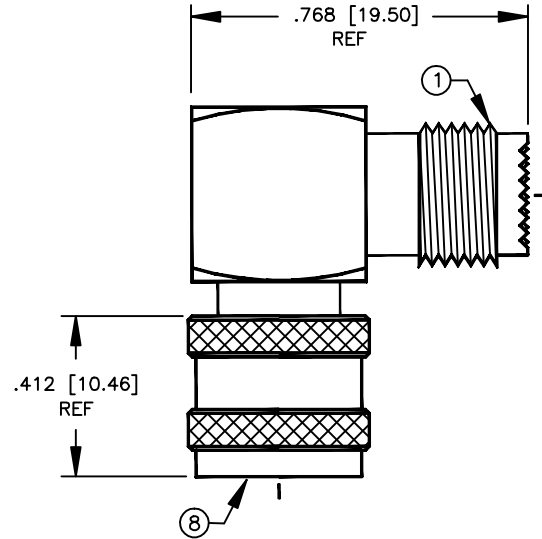


SPECIFICATION CONTROL DRAWING

THIS DRAWING CONTAINS INFORMATION PROPRIETARY TO RF INDUSTRIES, LTD. ANY UNAUTHORIZED USE OF THIS DRAWING IS EXPRESSLY PROHIBITED. ANY VIOLATION IS PUNISHABLE UNDER U.S. COPYRIGHT LAWS.

REV	DESCRIPTION	DWN	DATE	APPROVED
A	ENGINEERING RELEASE	KMM	12/4/95	R. RICE



SPECIFICATIONS:

MUST MAINTAIN 50 OHM IMPEDANCE
 VOLTAGE RATING: 335 VOLTS PEAK
 FREQUENCY RANGE: 0-2.5 GHz

DIMENSIONS ARE IN INCHES AND [MILLIMETERS]
 UNLESS OTHERWISE NOTED TOLERANCES ARE:
 DECIMALS DIAMETER

RF connectors
 DIVISION OF RF INDUSTRIES, LTD.

7610 MIRAMAR RD
 SAN DIEGO, CA 92126
 (619)549-6340
 (619)549-6345 FAX

RFU-630-8

MINI UHF MALE TO MINI UHF FEMALE R/A

ITEM	DESCRIPTION	QTY	MATERIAL	FINISH
8	SHELL	1	BRASS	NICKEL
7	RETAINING RING	1	QQB613 [BRASS]	NONE
6	PRESS FIT WASHER	1	BRASS	NICKEL
5	DIELECTRIC	1	PTFE	NONE
4	DIELECTRIC	1	PTFE	NONE
3	CONTACT	1	BRASS	TIN
2	PRESS FIT BODY	1	BRASS	NICKEL
1	BODY	1	BRASS	NICKEL

DRAWN K. MAXWELL	12/4/95
CHECKED	
ISSUED H. HILL ORJ DRAWN	12/4/95
	11/29/95
APPROVALS	DATE

SIZE A	CABLE GROUP N/A	DWG NO. 8585	REV A
SCALE: 2:1	CAD FILE ARC 229	SHEET 1 OF 1	