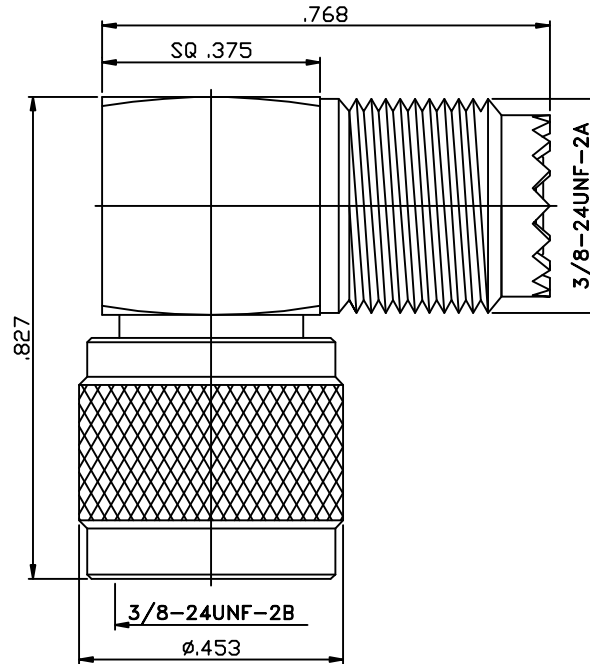


SPECIFICATION CONTROL DRAWING

THIS DRAWING CONTAINS INFORMATION PROPRIETARY TO RF INDUSTRIES, LTD. ANY UNAUTHORIZED USE OF THIS DRAWING IS EXPRESSLY PROHIBITED. ANY VIOLATION IS PUNISHABLE UNDER U.S. COPYRIGHT LAWS.

| REV | DESCRIPTION | DWN | DATE | APPROVED |
|-----|---|-----|----------|----------|
| A | ENGINEERING RELEASE | KMM | 11/29/95 | R. RICE |
| B | CHANGED COUPLING NUT KNURL STYLE, ADDED DIM'S | JDM | 4/26/11 | R. RICE |
| | | | | |
| | | | | |



SPECIFICATIONS:

50 Ohm IMPEDANCE

VOLTAGE RATING: 335 VOLTS PEAK
 FREQUENCY RANGE: 0-2.5 GHz

DIMENSIONS ARE IN INCHES AND [MILLIMETERS]
 UNLESS OTHERWISE NOTED TOLERANCES ARE:
 DECIMALS DIAMETER

RF connectors
 DIVISION OF RF INDUSTRIES, LTD.

7610 MIRAMAR RD
 SAN DIEGO, CA 92126
 (858)549-6340
 (858)549-6345 FAX

| ITEM | DESCRIPTION | QTY | MATERIAL | FINISH |
|------|------------------|-----|----------------|--------|
| 8 | SHELL | 1 | BRASS | NICKEL |
| 7 | RETAINING RING | 1 | QQB613 [BRASS] | NONE |
| 6 | PRESS FIT WASHER | 1 | BRASS | NICKEL |
| 5 | DIELECTRIC | 1 | PTFE | NONE |
| 4 | DIELECTRIC | 1 | PTFE | NONE |
| 3 | CONTACT | 1 | BRASS | GOLD |
| 2 | PRESS FIT BODY | 1 | BRASS | NICKEL |
| 1 | BODY | 1 | BRASS | NICKEL |

| | |
|-------------------|----------|
| DRAWN JDMc | 4/26/11 |
| CHECKED | |
| ISSUED H. HILL | 11/29/95 |
| ORJ DRAWN | 11/29/95 |
| APPROVALS | DATE |

| | | | |
|--------------------------------------|--------------------|---------------------------|--------------|
| RFU-630-6 | | | |
| MINI UHF MALE TO MINI UHF FEMALE R/A | | | |
| SIZE A | CABLE GROUP N/A | DWG NO. RFU-630-6 | REV B |
| SCALE: 2:1 | CAD FILE | DWG _s /OUTLINE | SHEET 1 OF 1 |