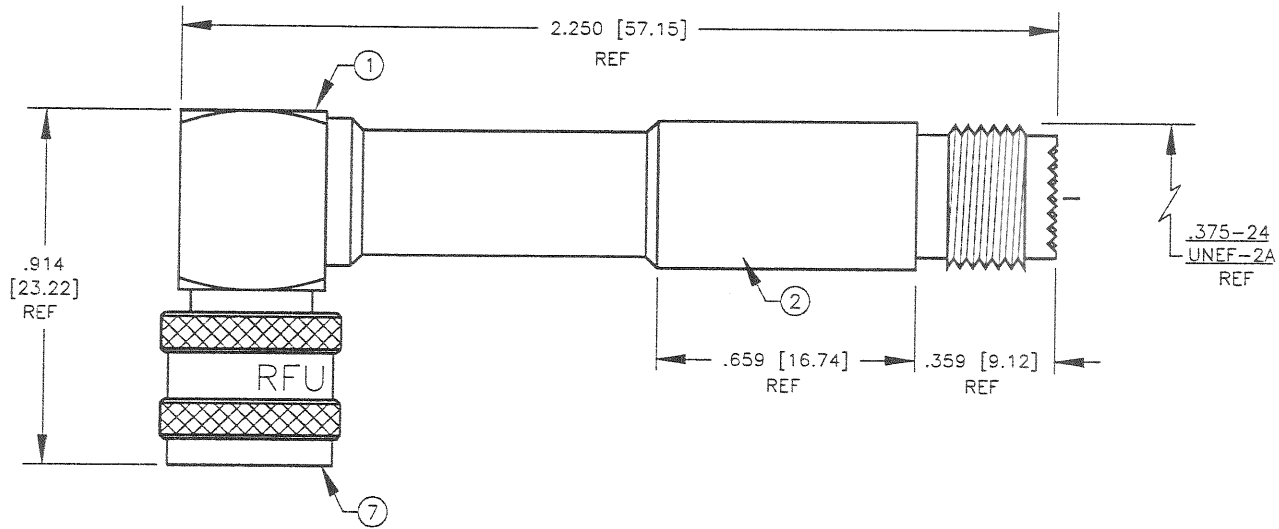


# SPECIFICATION CONTROL DRAWING

REV	DESCRIPTION			
A	ENGINEERING RELEASE	DB	11/90	R. SMITH
B	CREATE SECTION DWG	KMM	4/6/94	F. VIERA

THIS DRAWING CONTAINS INFORMATION PROPRIETARY TO RF INDUSTRIES, LTD. ANY UNAUTHORIZED USE OF THIS DRAWING IS EXPRESSLY PROHIBITED. ANY VIOLATION IS PUNISHABLE UNDER U.S. COPYRIGHT LAWS.



## SPECIFICATIONS:

IMPEDANCE: 50 OHMS  
 VOLTAGE RATING: 335 VOLTS  
 FREQUENCY RANGE: 0-2.5 GHZ

DIMENSIONS ARE IN INCHES OVER MILLIMETERS.  
 UNLESS OTHERWISE NOTED TOLERANCES ARE:  
 DECIMALS ANGLES

**RF connectors**  
 DIVISION OF RF INDUSTRIES, LTD.

7620 MIRAMAR RD  
 SAN DIEGO, CA 92126  
 (619)549-6340  
 (619)549-6345 FAX

## RFU-630-1

MINI UHF MALE TO MINI UHF FEMALE R/A (LONG BODY)

ITEM	DESCRIPTION	QTY	MATERIAL	FINISH
7	SHELL	1	BRASS	BLK CHROME
	DIELECTRIC	1	TEFLON	NONE
	CONTACT	1	BRASS	GOLD
	PIN	1	BRASS	GOLD
2	BODY	1	BRASS	BLK CHROME
1	BODY	1	BRASS	BLK CHROME

DRAWN	K. MAXWELL	4/6/94
CHECKED	<i>[Signature]</i>	<i>[Signature]</i>
ISSUED	H. HILL	4/6/94
ORJ DRAWN	D. BRUMLEY	11/90
APPROVALS		DATE

SIZE	CABLE GROUP	DWG NO.	REV
A	N/A	E7142B	B

SCALE: 2:1

CAD FILE ARC143

SHEET 1 OF 1