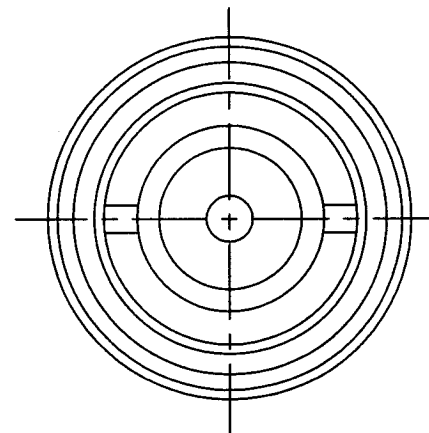
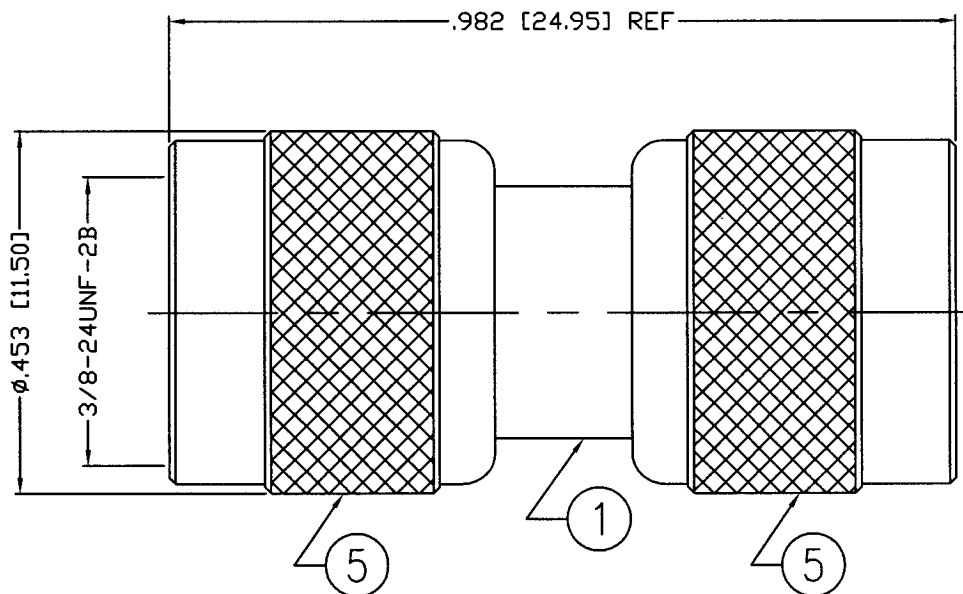


THIS DRAWING CONTAINS INFORMATION PROPRIETARY TO RF INDUSTRIES.
 ANY UNAUTHORIZED USE OF THIS DRAWING IS EXPRESSLY PROHIBITED
 WITHOUT WRITTEN PERMISSION FROM RF INDUSTRIES.
 ANY VIOLATION IS PUNISHABLE UNDER U.S. COPYRIGHT LAWS.

PART NO.

RFU-624

REV	DESCRIPTION	DWN	DATE	APPROVED
-	ENGINEERING RELEASE	CZS	11/20/00	JDMc



SPECIFICATIONS:

IMPEDANCE: 50 OHMS

ALL DIMENSIONS ARE REFERENCE ONLY

1	BODY	1	BRASS	NICKEL, 100 MICRO
2	INSULATOR	1	PTFE	---
3	CONTACT	1	BRASS	GOLD, 3 MICRO
4	PRESS FIT WASHER	1	BRASS	NICKEL, 100 MICRO
5	SHELL	1	BRASS	NICKEL, 100 MICRO
6				
7				
8				
9				
10				
11				
12				
13				
14				
#	DESCRIPTION	QTY	MATRL	FINISH

008974

UNLESS OTHERWISE SPECIFIED:

1. REMOVE ALL BURRS
2. BREAK ALL CORNERS & EDGES .005 R. MAX.
3. CHAMFER 1ST & LAST THREADS 45°
4. SURFACE ROUGHNESS 63 FINISH MIL-STD-10
5. DIAMETERS ON COMMON CENTERS TO BE CONCENTRIC WITHIN .002 T.I.R.
6. ALL DIMENSIONS ARE AFTER PLATING.

DIMENSIONS ARE IN INCHES AND [MILLIMETERS]

UNLESS OTHERWISE NOTED TOLERANCES ARE:

DECIMALS	DIAMETER
.XXX±.003 [.08]	.XXX±.001 [.03]
.XX±.005 [.13]	.XX±.003 [.08]

DRAWN	C. ZUNIGA	1/3/01
CHECKED	<i>[Signature]</i>	1/3-01
ORJ DRAWN	C. ZUNIGA	1/3/01
APPROVALS	DATE	

RFconnectors
 DIVISION OF RF INDUSTRIES, LTD.

7610 MIRAMAR RD
 SAN DIEGO, CA 92126
 (858) 549-6340
 (858) 549-6345 FAX

MINI UHF ADAPTER

MALE TO MALE

SIZE A	CABLE GROUP N/A	DWG NO. RFU-624	REV -
SCALE: NTS		CAD FILE OUTLINE	SHEET 1 OF 1