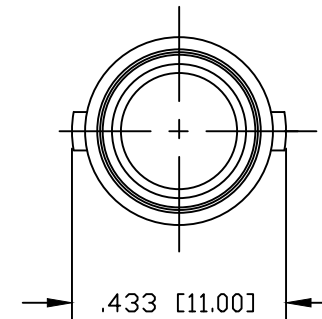
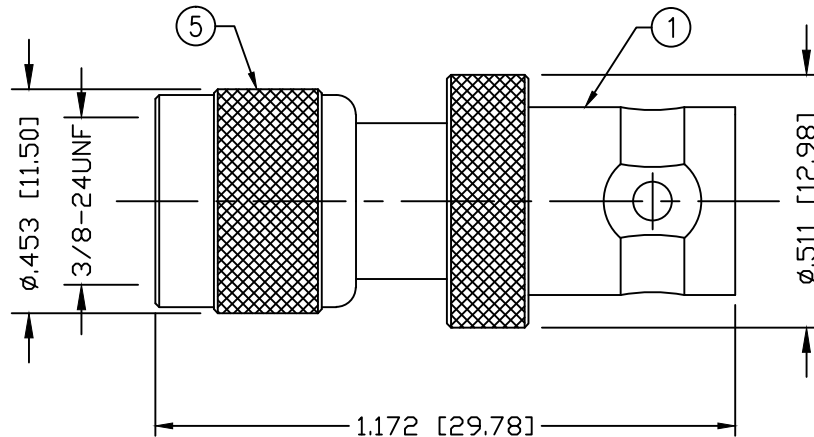


PART NO.

**RFU-622**

REV	DESCRIPTION	DWN	DATE	APPROVED
K	UPDATED CONNECTOR DESIGN AND DRAWING	CZS	01/06/17	JDMc

**SPECIFICATIONS:**

IMPEDANCE: 50 Ohms  
 FREQUENCY RANGE: 0–2.5 GHz  
 WORKING VOLTAGE: 335 V rms Max. @ Sea Level  
 INSULATION RESISTANCE: 5k M Ohms min.  
 TEMPERATURE RANGE: –65°C TO 165°C

#	DESCRIPTION	QTY	MATERIAL	FINISH
5	SHELL	1	BRASS	NICKEL, 100 $\mu$ "
4	PRESS FIT WASHER	1	BRASS	NICKEL, 100 $\mu$ "
3	CONTACT	1	BRASS	GOLD, 3 $\mu$ "
2	INSULATOR	1	PTFE	---
1	BODY	1	BRASS	NICKEL, 100 $\mu$ "

CUSTOMER OUTLINE DRAWING	
ALL DIMENSIONS ARE REFERENCE ONLY	
UNLESS OTHERWISE SPECIFIED: DIMENSIONS ARE IN INCHES AND [MILLIMETERS]	
DRAWN C. ZUNIGA	01/06/17
CHECKED	
ORJ DRAWN C. ZUNIGA	8/25/85

**RoHS  
COMPLIANT**

PROPRIETARY AND CONFIDENTIAL  
 THIS DRAWING CONTAINS  
 INFORMATION PROPRIETARY TO  
 RF INDUSTRIES. ANY  
 UNAUTHORIZED USE OF THIS  
 DRAWING IS EXPRESSLY  
 PROHIBITED WITHOUT WRITTEN  
 PERMISSION FROM RF  
 INDUSTRIES. ANY VIOLATION IS  
 PUNISHABLE UNDER U.S.  
 COPYRIGHT LAWS.

**RFconnectors**  
 DIVISION OF RF INDUSTRIES, LTD.

7610 MIRAMAR RD.  
 SAN DIEGO, CA 92126  
 (858) 549-6340  
 (858) 549-6345 FAX

## MINI UHF MALE TO BNC FEMALE ADAPTER

SIZE	CABLE GROUP	DWG NO.	REV
A	N/A	<b>RFU-622</b>	—
SCALE: NTS	ENGINEERING ID: 000000	SHEET 1 OF 1	