

# ENVELOPE / ASSEMBLY DRAWING

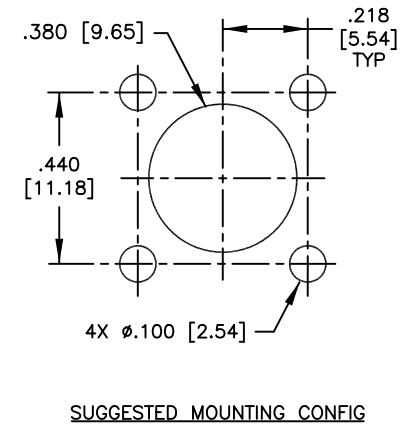
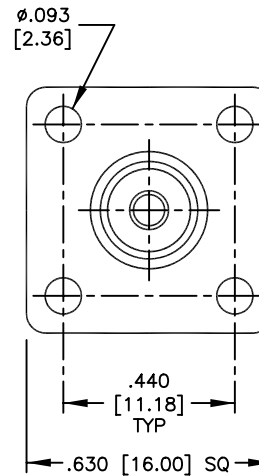
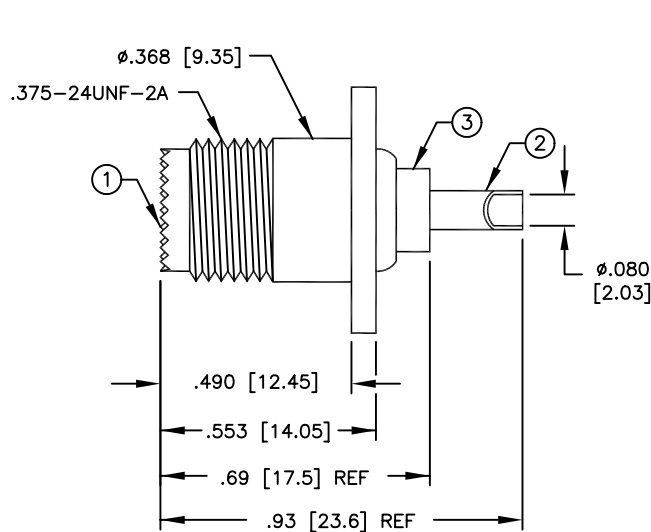
008974

## SPECIFICATION CONTROL DRAWING

THIS DRAWING CONTAINS INFORMATION PROPRIETARY TO RF INDUSTRIES, LTD. ANY UNAUTHORIZED USE OF THIS DRAWING IS EXPRESSLY PROHIBITED. ANY VIOLATION IS PUNISHABLE UNDER U.S. COPYRIGHT LAWS.

REV	DESCRIPTION	DWN	DATE	APPROVED
A	ENGINEERING RELEASE	CZS	12/1/99	J. D. McR

ALL DIMENSIONS ARE REFERENCE ONLY



### SPECIFICATIONS:

IMPEDANCE: 50 OHMS  
 WORKING VOLTAGE: 335 VRMS @ SEA LEVEL  
 FREQUENCY RANGE: 0-2.5 GHZ

DIMENSIONS ARE IN INCHES AND [MILLIMETERS]

UNLESS OTHERWISE NOTED TOLERANCES ARE:  
 DECIMALS DIAMETER

**RF connectors**  
 DIVISION OF RF INDUSTRIES, LTD.

7610 MIRAMAR RD  
 SAN DIEGO, CA 92126  
 (858) 549-6340  
 (858) 549-6345 FAX

## RFU-603-1

MINI UHF FEMALE, 4 HOLE FLANGE

ITEM	DESCRIPTION	QTY	MATERIAL	FINISH
4	PRESS FIT WASHER	1	BRASS	NICKEL
3	DIELECTRIC	1	PHENOLIC	PANTONE 129
2	CONTACT	1	BRASS	SILVER
1	BODY	1	DIECAST ZINC	NICKEL

DRAWN	C. ZUNIGA	12/1/99
CHECKED		
ORJ DRAWN	C. ZUNIGA	12/1/99
APPROVALS		
DATE		

SIZE	A	CABLE GROUP	N/A	DWG NO.	RFU6031	REV	A
SCALE:	2:1	CAD FILE	13ARC B	SHEET	1	OF	1