

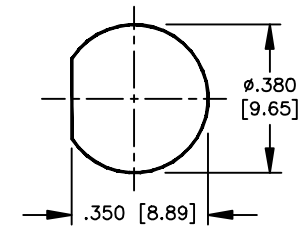
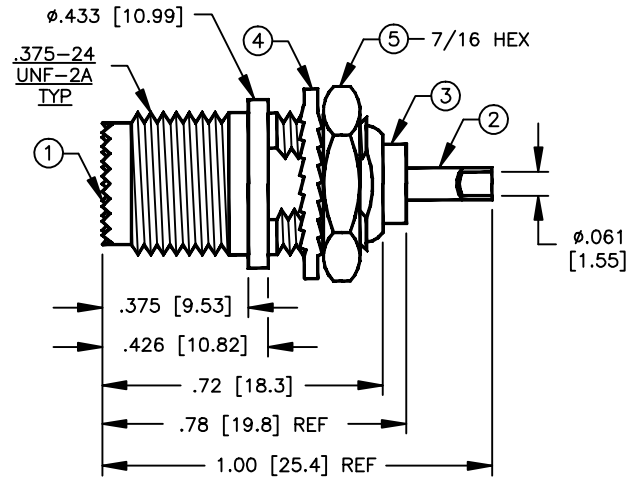
SPECIFICATION CONTROL DRAWING

THIS DRAWING CONTAINS INFORMATION PROPRIETARY TO RF INDUSTRIES, LTD. ANY UNAUTHORIZED USE OF THIS DRAWING IS EXPRESSLY PROHIBITED. ANY VIOLATION IS PUNISHABLE UNDER U.S. COPYRIGHT LAWS.

REV	DESCRIPTION	DWN	DATE	APPROVED
A	ENGINEERING RELEASE	CZS	12/1/99	J. D. McR

000360

ALL DIMENSIONS ARE REFERENCE ONLY



MAXIMUM PANEL THICKNESS: .120 [3.05]

SUGGESTED MOUNTING CONFIGURATION

SPECIFICATIONS:

IMPEDANCE: 50 OHMS
 WORKING VOLTAGE: 335 VRMS @ SEA LEVEL
 FREQUENCY RANGE: 0-2.5 GHz

DIMENSIONS ARE IN INCHES AND [MILLIMETERS]

UNLESS OTHERWISE NOTED TOLERANCES ARE:
 DECIMALS DIAMETER

RFconnectors

DIVISION OF RF INDUSTRIES, LTD.

7610 MIRAMAR RD
 SAN DIEGO, CA 92126
 (858) 549-6340
 (858) 549-6345 FAX

RFU-602

MINI UHF FEMALE BULKHEAD, FRONT MOUNT

ITEM	DESCRIPTION	QTY	MATERIAL	FINISH	APPROVALS	DATE
5	HEX NUT	1	BRASS	NICKEL	DRAWN C. ZUNIGA	12/1/99
4	LOCK WASHER	1	BRASS	NICKEL		
3	DIELECTRIC	1	PTFE	NONE	CHECKED	
2	CONTACT	1	BRASS	GOLD	ORJ DRAWN C. ZUNIGA	12/1/99
1	BODY	1	BRASS	NICKEL		

SIZE A	CABLE GROUP N/A	DWG NO. 9261	REV A
SCALE: 2:1		CAD FILE 13ARC B	SHEET 1 OF 1