

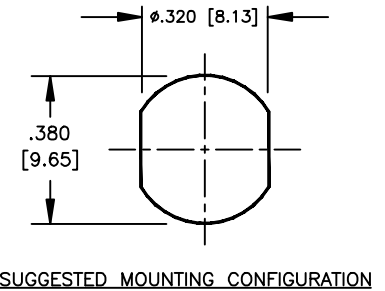
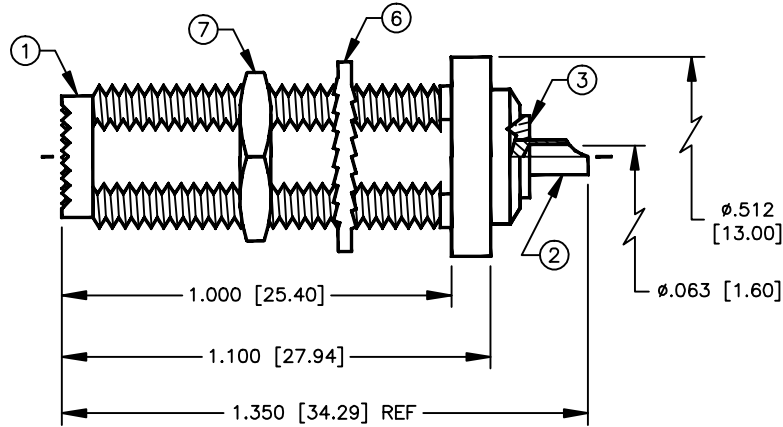
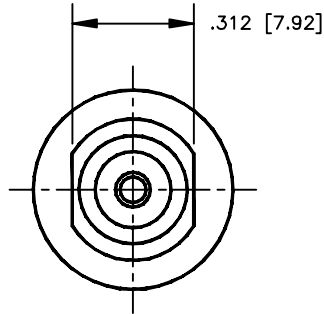
SPECIFICATION CONTROL DRAWING

THIS DRAWING CONTAINS INFORMATION PROPRIETARY TO RF INDUSTRIES, LTD. ANY UNAUTHORIZED USE OF THIS DRAWING IS EXPRESSLY PROHIBITED. ANY VIOLATION IS PUNISHABLE UNDER U.S. COPYRIGHT LAWS.

REV	DESCRIPTION	DWN	DATE	APPROVED
A	ENGINEERING RELEASE	KMM	9/15/95	R. RICE

000000

ALL DIMENSIONS ARE REFERENCE ONLY



SPECIFICATIONS:

IMPEDANCE: 50 OHMS
 WORKING VOLTAGE: 335 VRMS @ SEA LEVEL
 FREQUENCY RANGE: 0-2.5 GHz

DIMENSIONS ARE IN INCHES AND [MILLIMETERS]

UNLESS OTHERWISE NOTED TOLERANCES ARE:

DECIMALS DIAMETER

RF connectors
 DIVISION OF RF INDUSTRIES, LTD.

7610 MIRAMAR RD
 SAN DIEGO, CA 92126
 (619)549-6340
 (619)549-6345 FAX

RFU-602-1SPL

MINI UHF FEMALE BULKHEAD, REAR MOUNT, SPECIAL

ITEM	DESCRIPTION	QTY	MATERIAL	FINISH	APPROVALS	DATE
5	HEX NUT	1	BRASS	NICKEL		
4	LOCK WASHER	1	BRASS	NICKEL		
3	DIELECTRIC	1	PTFE	NONE		
2	CONTACT	1	BRASS	SILVER		
1	BODY	1	BRASS	NICKEL		

DRAWN	K. MAXWELL	9/15/95
CHECKED		
ORJ DRAWN	K. MAXWELL	9/15/95
APPROVALS		

SIZE	CABLE GROUP	DWG NO.	REV
A	N/A	8558	A

SCALE: 2:1 CAD FILE 13ARC B SHEET 1 OF 1