

# ENVELOPE / ASSEMBLY DRAWING

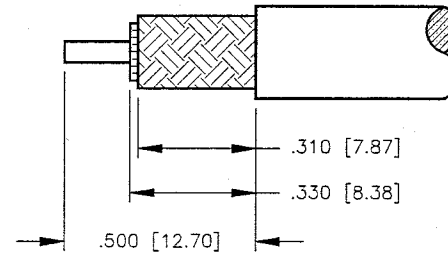
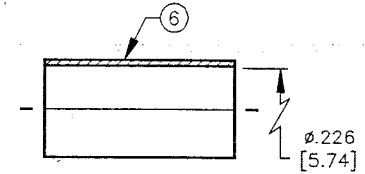
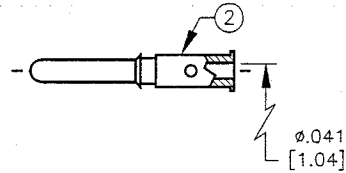
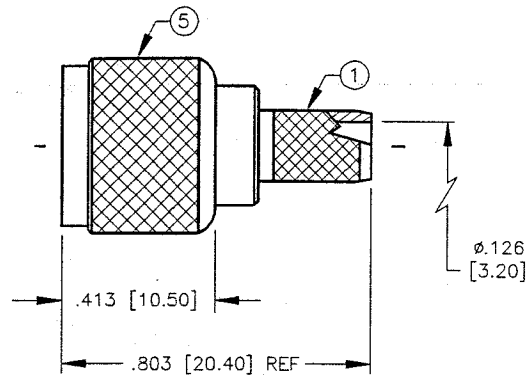
000360

## SPECIFICATION CONTROL DRAWING

THIS DRAWING CONTAINS INFORMATION PROPRIETARY TO RF INDUSTRIES, LTD. ANY UNAUTHORIZED USE OF THIS DRAWING IS EXPRESSLY PROHIBITED. ANY VIOLATION IS PUNISHABLE UNDER U.S. COPYRIGHT LAWS.

REV	DESCRIPTION	DWN	DATE	APPROVED
A	ENGINEERING RELEASE	CZS	5/28/99	R. RICE

ALL DIMENSIONS ARE REFERENCE ONLY



SUGGESTED STRIPPING INSTRUCTIONS

SUGGESTED CRIMP: .068 & .213

### SPECIFICATIONS:

IMPEDANCE: 50 OHMS  
 WORKING VOLTAGE: 335 VRMS @ SEA LEVEL  
 FREQUENCY RANGE: 0-2.5 GHz  
 INSERTION LOSS:  $\leq -2$  dB @ 2 GHz  
 VSWR MAX: 1.25:1 @ 2 GHz  
 FOR RG-55, 55A, 55B, 142, 142A, 142B & 223/U,  
 ALPHA 9055, 9055B, 9223, BELDEN 8219, 83242, 84142, 9907

DIMENSIONS ARE IN INCHES AND [MILLIMETERS]

UNLESS OTHERWISE NOTED TOLERANCES ARE:  
 DECIMALS DIAMETER

**RF connectors**  
 DIVISION OF RF INDUSTRIES, LTD.

7610 MIRAMAR RD  
 SAN DIEGO, CA 92126  
 (619)549-6340  
 (619)549-6345 FAX

## RFU-600-6C1

MINI UHF MALE CRIMP

ITEM	DESCRIPTION	QTY	MATERIAL	FINISH
6	FERRULE [FER-10C1]	1	BRASS	NICKEL
5	SHELL	1	BRASS	NICKEL
4	RETAINER RING	1	SK-5	NONE
3	DIELECTRIC	1	DELRIN	NONE
2	PIN	1	BRASS	SILVER
1	BODY	1	BRASS	NICKEL

DRAWN	C. ZUNIGA	5/28/99
CHECKED	<i>[Signature]</i>	6/17/99
ORJ DRAWN	C. ZUNIGA	5/28/99

SIZE	CABLE GROUP	DWG NO.	REV
A	C1	9176	A
SCALE:	2:1	CAD FILE	13ARC B
			SHEET 1 OF 1