

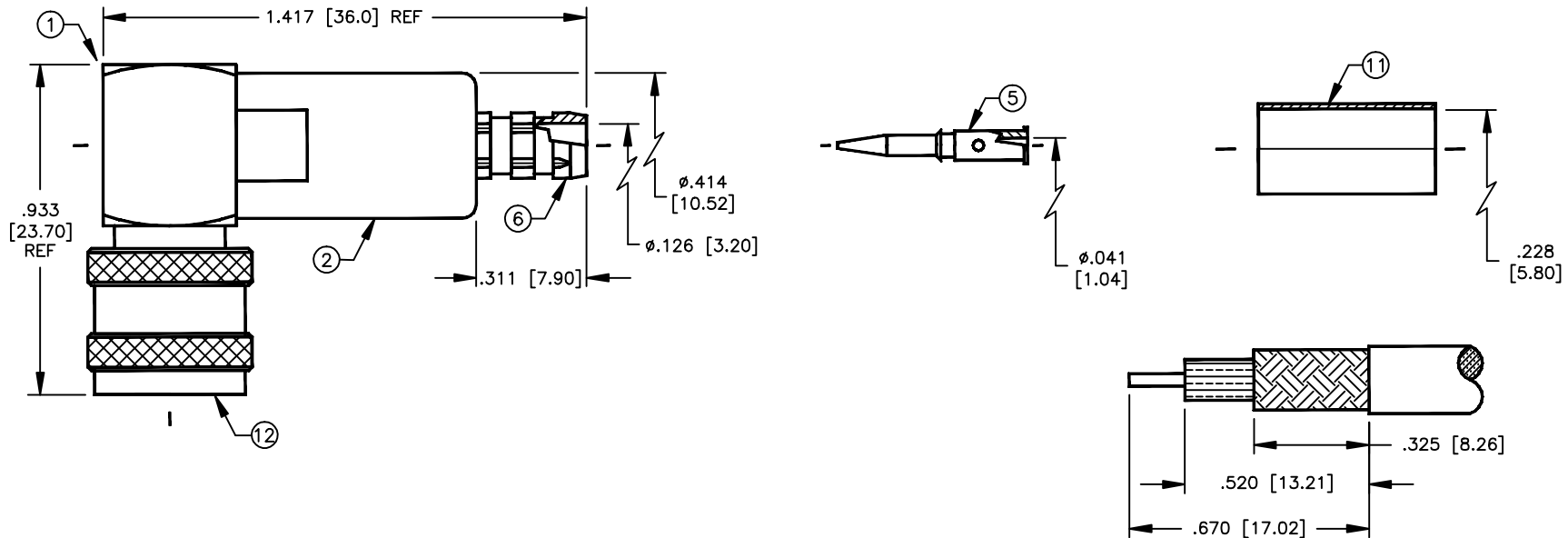
SPECIFICATION CONTROL DRAWING

THIS DRAWING CONTAINS INFORMATION PROPRIETARY TO RF INDUSTRIES, LTD. ANY UNAUTHORIZED USE OF THIS DRAWING IS EXPRESSLY PROHIBITED. ANY VIOLATION IS PUNISHABLE UNDER U.S. COPYRIGHT LAWS.

REV	DESCRIPTION	DWN	DATE	APPROVED
A	ENGINEERING RELEASE	CZS	4/30/99	R. RICE

ALL DIMENSIONS ARE REFERENCE ONLY

008974



SPECIFICATIONS:

IMPEDANCE: NON CONSTANT
 WORKING VOLTAGE: 500 VRMS @ SEA LEVEL
 FREQUENCY RANGE: 300 MHz
 FOR RG-55, 55A, 55B, 142, 142A, 142B & 223/U,
 ALPHA 9055, 9055B, 9223, BELDEN 8219, 83242, 84142, 9907

SUGGESTED STRIPPING INSTRUCTIONS
 SUGGESTED CRIMP DIE: .068 & .213

ITEM	DESCRIPTION	QTY	MATERIAL	FINISH	APPROVALS	DATE
12	SHELL	1	BRASS	NICKEL		
11	FERRULE	1	COPPER	NICKEL		
10	RETAINING RING	1	BRASS	NONE		
9	COVER	1	BRASS	NICKEL		
8	DIELECTRIC	1	PTFE	NONE		
7	DIELECTRIC	1	PTFE	NONE		
6	FERRULE STUD	1	BRASS	NICKEL		
5	PIN	1	BRASS	GOLD		
4	CONTACT	1	PHOS BRONZE	GOLD		
3	PIN	1	BRASS	GOLD		
2	PRESS FIT BODY	1	BRASS	NICKEL		
1	BODY	1	BRASS	NICKEL		

DIMENSIONS ARE IN INCHES AND [MILLIMETERS]

UNLESS OTHERWISE NOTED TOLERANCES ARE:
 DECIMALS DIAMETER

DRAWN	C. ZUNIGA	4/30/99
CHECKED		
ORJ DRAWN	C. ZUNIGA	4/30/99

RFconnectors
 DIVISION OF RF INDUSTRIES, LTD.

7610 MIRAMAR RD
 SAN DIEGO, CA 92126
 (619)549-6340
 (619)549-6345 FAX

RFU-600-10C1

MINI UHF R/A CRIMP

SIZE	CABLE GROUP	DWG NO.	REV
A	C1	9167	A
SCALE:	2:1	CAD FILE	13ARC B
			SHEET 1 OF 1