

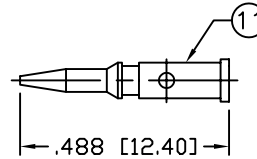
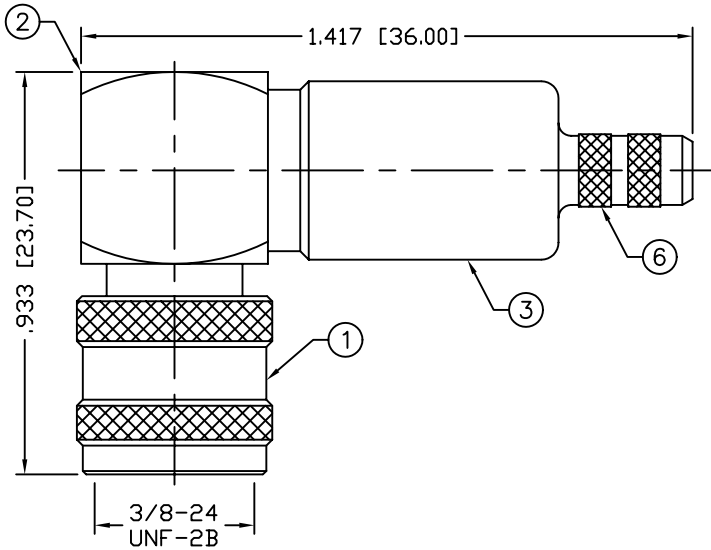
THIS DRAWING CONTAINS INFORMATION PROPRIETARY TO RF INDUSTRIES,  
 ANY UNAUTHORIZED USE OF THIS DRAWING IS EXPRESSLY PROHIBITED  
 WITHOUT WRITTEN PERMISSION FROM RF INDUSTRIES.  
 ANY VIOLATION IS PUNISHABLE UNDER U.S. COPYRIGHT LAWS.

ALL DIMENSIONS ARE REFERENCE ONLY

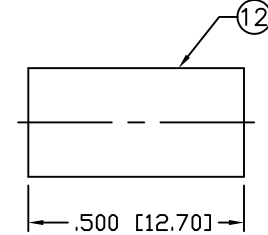
PART NO.

# RFU-600-10C

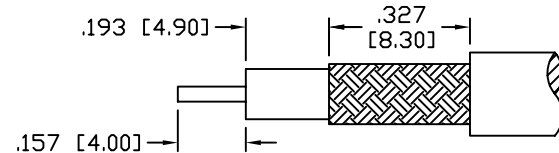
REV	DESCRIPTION	DWN	DATE	APPROVED
A	ENGINEERING RELEASE	CZS	3/23/99	R. RICE
B	UPDATE CONNECTOR DESIGN, DWG. FORMAT & SPECS	CZS	07/02/04	JDMc



RECOMMENDED CRIMP DIE: .068"



RECOMMENDED CRIMP DIE: .213"



RECOMMENDED STRIPPING DIMENSIONS

## SPECIFICATIONS:

IMPEDANCE: 50 Ohms  
 FREQUENCY RANGE: 0-2.5 GHz  
 VSWR: 1.3 MAX.  
 WORKING VOLTAGE: 335 V rms Max. @ Sea Level  
 INSULATION RESISTANCE: 5k M Ohms min.  
 TEMPERATURE RANGE: -65°C TO 165°C  
 FOR RG-58, 58A, 58C, 141, 141A, BELDEN 8240, 9907  
 8259, 8262, 9201, 9203, 9310, 9311 & COMM/SCOPE 0268

1 SHELL	1 BRASS	NICKEL, 100μ"	008974			
2 BODY	1 BRASS	NICKEL, 100μ"				
3 PRESS BODY	1 BRASS	NICKEL, 100μ"				
4 INSULATOR	1 PTFE	----				
5 CONTACT	1 PHOS BRONZE	GOLD, 3μ"				
6 FERRULE STUD	1 BRASS	NICKEL, 100μ"				
7 INSULATOR	1 PTFE	----				
8 PIN	1 BRASS	GOLD, 3μ"				
9 RETAINING RING	1 SST	----				
10 PRESS CAP	1 BRASS	NICKEL, 100μ"		DRAWN C. ZUNIGA		
11 PIN	1 BRASS	GOLD, 3μ"		9/12/06		
12 FERRULE	1 BRASS	NICKEL, 100μ"		CHECKED		
13				ORJ DRAWN C. ZUNIGA		
14				3/23/99		
#	DESCRIPTION	QTY	MATERIAL	FINISH	APPROVALS	DATE

## RoHS COMPLIANT

DIMENSIONS ARE IN INCHES AND [MILLIMETERS]  
 UNLESS OTHERWISE NOTED TOLERANCES ARE:  
 DECIMALS      DIAMETER

# RF connectors

DIVISION OF RF INDUSTRIES, LTD.

7610 MIRAMAR RD  
 SAN DIEGO, CA 92126  
 (858) 549-6340  
 (858) 549-6345 FAX

## MINI-UHF PLUG

CRIMP, RIGHT ANGLE

SIZE A	CABLE GROUP C	DWG NO. RFU-600-10C	REV B
SCALE: NTS	CAD FILE	OUTLINE	SHEET 1 OF 1