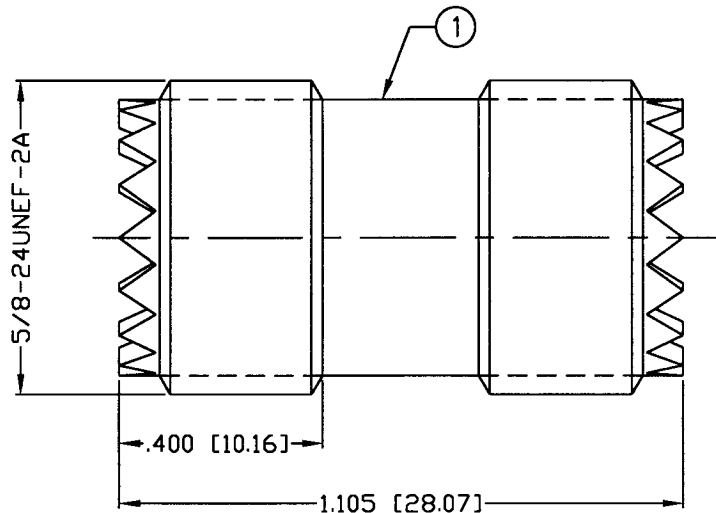


THIS DRAWING CONTAINS INFORMATION PROPRIETARY TO RF INDUSTRIES.
 ANY UNAUTHORIZED USE OF THIS DRAWING IS EXPRESSLY PROHIBITED
 WITHOUT WRITTEN PERMISSION FROM RF INDUSTRIES.
 ANY VIOLATION IS PUNISHABLE UNDER U.S. COPYRIGHT LAWS.

ALL DIMENSIONS ARE REFERENCE ONLY

PART NO. **RFU-536 / PL-258**

REV	DESCRIPTION	DWN	DATE	APPROVED
-	ENGINEERING RELEASE	CZS	5/10/99	R. RICE
A	CHANGE DWG # 9170, UPDATE DIM'S & FORMAT	GGG	2/8/02	JDMc



SPECIFICATIONS:

IMPEDANCE: NON CONSTANT
 FREQUENCY RANGE: 0-300 MHz
 WORKING VOLTAGE: 500 V rms max. Ⓞ sea level

1	BODY	1	BRASS	NICKEL, 80μ"	000486	
2	PIN	1	BRASS	SILVER, 5μ"		
3	DIELECTRIC	2	DAP	---		
4	PRESS WASHER	1	BRASS	NICKEL, 80μ"		
5						
6						
7						
8						
9						
10						
11						
12						
13						
14						
#	DESCRIPTION	QTY	MATRL	FINISH	APPROVALS	DATE

DRAWN
G. GALLEGOS
 CHECKED
[Signature]
 ORJ DRAWN
C. ZUNIGA

2/8/02
 5/10/99

UNLESS OTHERWISE SPECIFIED:
 1. REMOVE ALL BURRS
 2. BREAK ALL CORNERS & EDGES .005 R. MAX.
 3. CHAMFER 1ST & LAST THREADS 45°
 4. SURFACE ROUGHNESS 63 FINISH MIL-STD-10
 5. DIAMETERS ON COMMON CENTERS TO BE CONCENTRIC WITHIN .002 T.I.R.
 6. ALL DIMENSIONS ARE AFTER PLATING.

DIMENSIONS ARE IN INCHES AND [MILLIMETERS]
 UNLESS OTHERWISE NOTED TOLERANCES ARE:
 DECIMALS .xxx±.003 [.08]
 .xx±.005 [.13]
 DIAMETER .xxx±.001 [.03]
 .xx±.003 [.08]

RF connectors
 DIVISION OF RF INDUSTRIES, LTD.

7610 MIRAMAR RD
 SAN DIEGO, CA 92126
 (858) 549-6340
 (858) 549-6345 FAX

UHF DOUBLE JACK

BARREL ADAPTER

SIZE A	CABLE GROUP N/A	DWG NO. RFU-536	REV A
SCALE: NTS		CAD FILE OUTLINE	SHEET 1 OF 1