

ENVELOPE / ASSEMBLY DRAWING

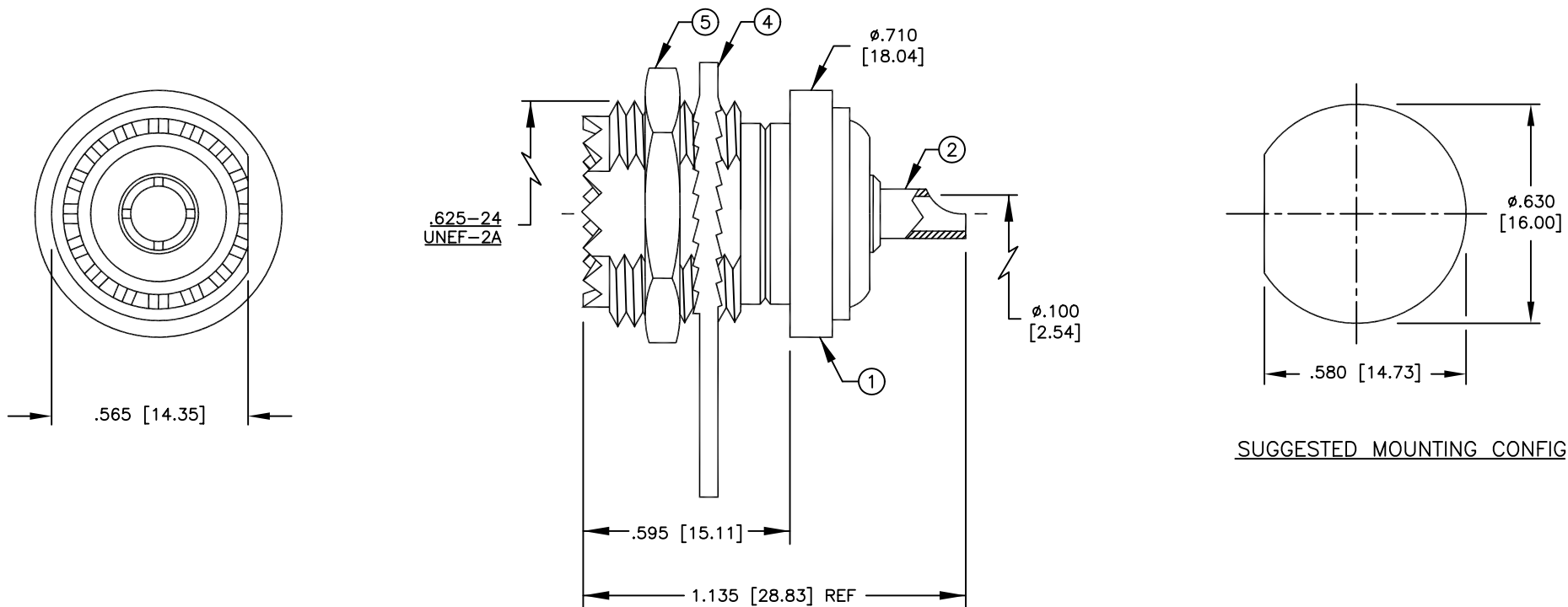
000250

SPECIFICATION CONTROL DRAWING

THIS DRAWING CONTAINS INFORMATION PROPRIETARY TO RF INDUSTRIES, LTD. ANY UNAUTHORIZED USE OF THIS DRAWING IS EXPRESSLY PROHIBITED. ANY VIOLATION IS PUNISHABLE UNDER U.S. COPYRIGHT LAWS.

REV	DESCRIPTION	DWN	DATE	APPROVED
A	ENGINEERING RELEASE	CZS	11/19/99	J. D. McR

ALL DIMENSIONS ARE REFERENCE ONLY



SPECIFICATIONS:

IMPEDANCE: 50 OHMS
 WORKING VOLTAGE: 500 VRMS @ SEA LEVEL
 FREQUENCY RANGE: 0-300 MHz

DIMENSIONS ARE IN INCHES AND [MILLIMETERS]

UNLESS OTHERWISE NOTED TOLERANCES ARE:
 DECIMALS DIAMETER

RF connectors
 DIVISION OF RF INDUSTRIES, LTD.

7610 MIRAMAR RD
 SAN DIEGO, CA 92126
 (858) 549-6340
 (858) 549-6345 FAX

RFU-524/SO-239-RM

UHF FEMALE BULKHEAD, REAR MOUNT

ITEM	DESCRIPTION	QTY	MATERIAL	FINISH	APPROVALS	DATE
5	HEX NUT (HEX-625-24E)	1	BRASS	NICKEL	DRAWN C. ZUNIGA	11/19/99
4	LOCK SOLDER LUG (LSL-625)	1	BRASS	NICKEL		
3	DIELECTRIC	1	DAP	PANTONE 129	CHECKED	
2	CONTACT	1	BRASS	SILVER	ORJ DRAWN C. ZUNIGA	11/19/99
1	BODY	1	BRASS	NICKEL		

SIZE	CABLE GROUP	DWG NO.	REV
A	N/A	9259	A

SCALE: 2:1 CAD FILE 13ARC B SHEET 1 OF 1