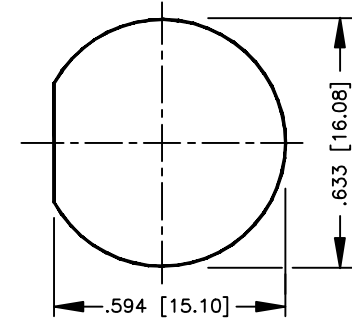
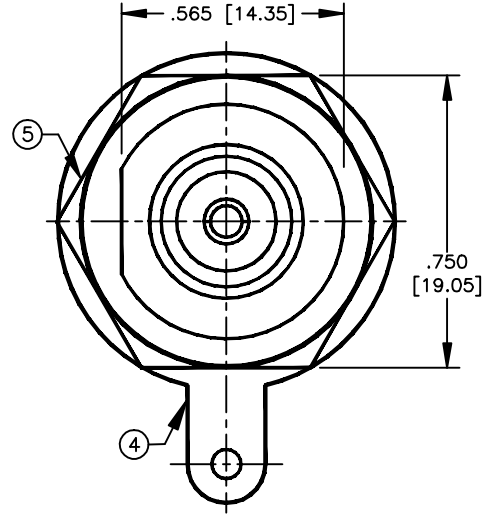
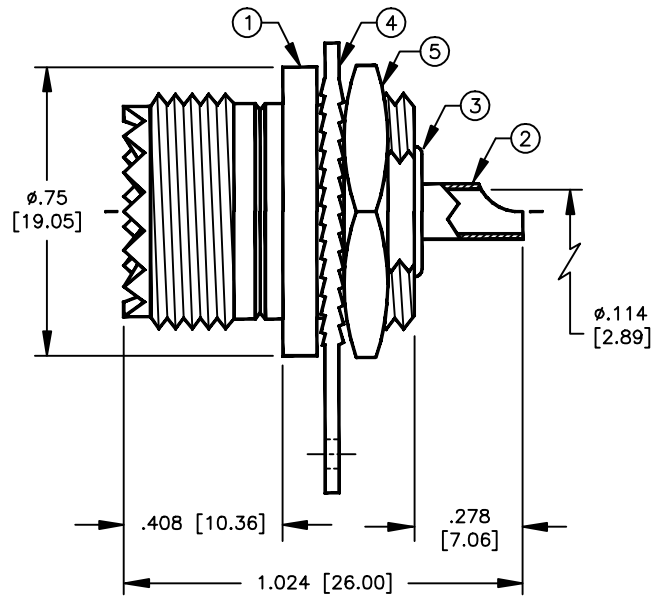


# SPECIFICATION CONTROL DRAWING

THIS DRAWING CONTAINS INFORMATION PROPRIETARY TO RF INDUSTRIES, LTD. ANY UNAUTHORIZED USE OF THIS DRAWING IS EXPRESSLY PROHIBITED. ANY VIOLATION IS PUNISHABLE UNDER U.S. COPYRIGHT LAWS.

| REV | DESCRIPTION                                   | DWN | DATE     | APPROVED |
|-----|---|-----|----------|----------|
| A   | ENGINEERING RELEASE                           | CJ  | 5/28/91  | J. BENZ  |
| B   | ADD DIELECTRIC BARRIER                        | KMM | 7/9/93   | J. BENZ  |
| C   | GENERAL UPDATE                                | WMD | 10/22/93 | J. BENZ  |
| D   | ADD CAPT BARB TO CONTACT \ ENLARGE CONTACT ID | KMM | 10/7/97  | R. RICE  |

ALL DIMENSIONS ARE REFERENCE ONLY



SUGGESTED MOUNTING CONFIGURATION

## SPECIFICATIONS:

IMPEDANCE: NON CONSTANT  
 WORKING VOLTAGE: 500 VRMS @ SEA LEVEL  
 FREQUENCY RANGE: 0-300 MHz

DIMENSIONS ARE IN INCHES AND [MILLIMETERS]

UNLESS OTHERWISE NOTED TOLERANCES ARE:

DECIMALS DIAMETER

**RFconnectors**  
 DIVISION OF RF INDUSTRIES, LTD.

7610 MIRAMAR RD  
 SAN DIEGO, CA 92126  
 (619)549-6340  
 (619)549-6345 FAX

## RFU-523-T / SO-239-FM

UHF FEMALE FRONT MOUNT CHASSIS CONNECTOR

| ITEM | DESCRIPTION | QTY | MATERIAL | FINISH |
|------|-------------|-----|----------|--------|
| 5    | HEX NUT     | 1   | BRASS    | NICKEL |
| 4    | LOCK WASHER | 1   | BRASS    | NICKEL |
| 3    | DIELECTRIC  | 1   | PTFE     | NONE   |
| 2    | CONTACT     | 1   | BRASS    | SILVER |
| 1    | BODY        | 1   | BRASS    | NICKEL |

|           |            |         |
|-----------|------------|---------|
| DRAWN     | K. MAXWELL | 10/6/97 |
| CHECKED   |            |         |
| ORJ DRAWN | D. BRUMLEY | 5/28/91 |
| APPROVALS |            | DATE    |

|        |             |          |              |
|--------|-------------|----------|--------------|
| SIZE   | CABLE GROUP | DWG NO.  | REV          |
| A      | N/A         | 8159     | D            |
| SCALE: | 2:1         | CAD FILE | 13ARC B      |
|        |             |          | SHEET 1 OF 1 |