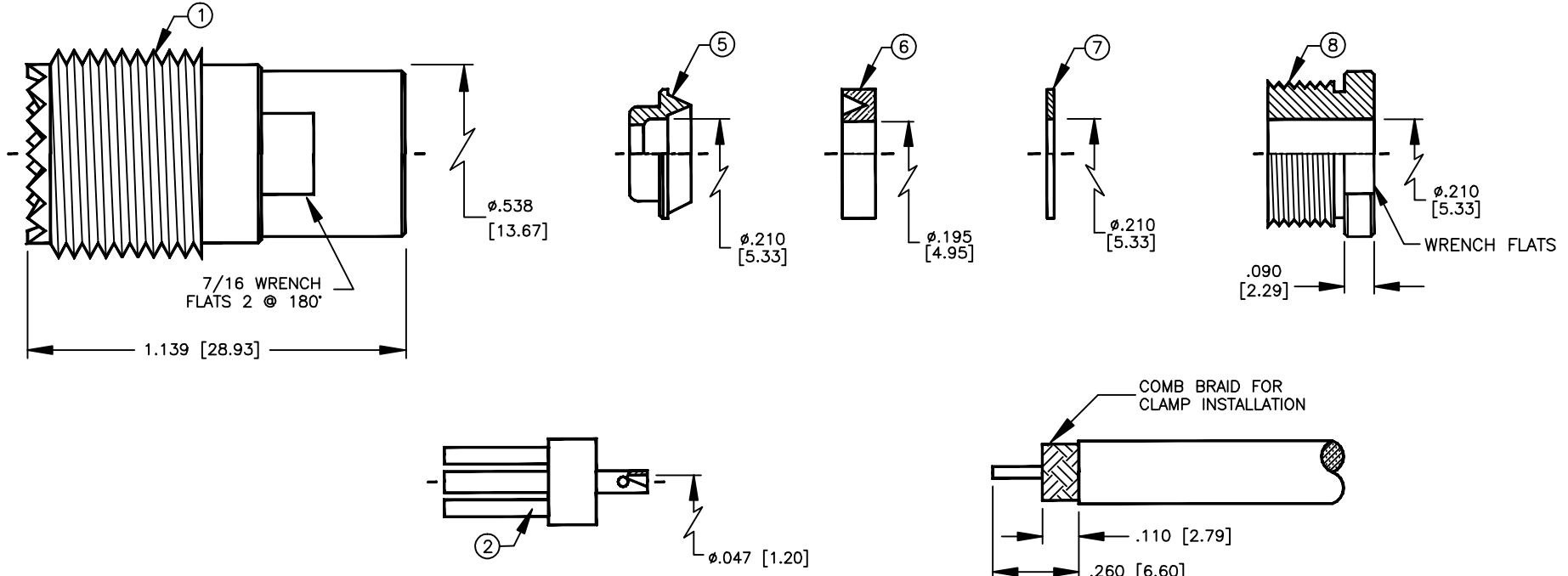


SPECIFICATION CONTROL DRAWING

THIS DRAWING CONTAINS INFORMATION PROPRIETARY TO RF INDUSTRIES, LTD. ANY UNAUTHORIZED USE OF THIS DRAWING IS EXPRESSLY PROHIBITED. ANY VIOLATION IS PUNISHABLE UNDER U.S. COPYRIGHT LAWS.

REV	DESCRIPTION	DWN	DATE	APPROVED
A	ENGINEERING RELEASE	CZS	9/25/97	R. RICE

ALL DIMENSIONS ARE REFERENCE ONLY



CONTACT TO BE SOLDER ONLY - NO CRIMP

SUGGESTED STRIPPING INSTRUCTIONS

SPECIFICATIONS:

IMPEDANCE: NON-CONSTANT
 VOLTAGE RATING: 500 VOLTS RMS
 FREQUENCY RANGE: 0-300 MHz
 FOR TIMES LMR-200, LMR-200 ULTRAFLEX, ALPHA 9848 & MSI-22

ITEM	DESCRIPTION	QTY	MATERIAL	FINISH
8	END NUT	1	BRASS	NICKEL
7	WASHER	1	BRASS	NICKEL
6	GASKET	1	S.I.RUBBER	RED
5	CLAMP	1	BRASS	NICKEL
4	RETAINING RING	1	BRASS	NICKEL
3	DIELECTRIC	1	PTFE	NONE
2	CONTACT	1	BRASS	SILVER
1	BODY	1	BRASS	NICKEL

DIMENSIONS ARE IN INCHES AND [MILLIMETERS]

UNLESS OTHERWISE NOTED TOLERANCES ARE:

DECIMALS DIAMETER

DRAWN C. ZUNIGA 9/25/97

CHECKED

ORJ DRAWN C. ZUNIGA 9/25/97

APPROVALS DATE

RFconnectors
 DIVISION OF RF INDUSTRIES, LTD.

7610 MIRAMAR RD
 SAN DIEGO, CA 92126
 (619)549-6340
 (619)549-6345 FAX

RFU-520-C2

UHF FEMALE CLAMP

SIZE	CABLE GROUP	DWG NO.	REV
A	C2	8768	A
SCALE: 2:1	CAD FILE 13ARC B	SHEET 1 OF 1	