

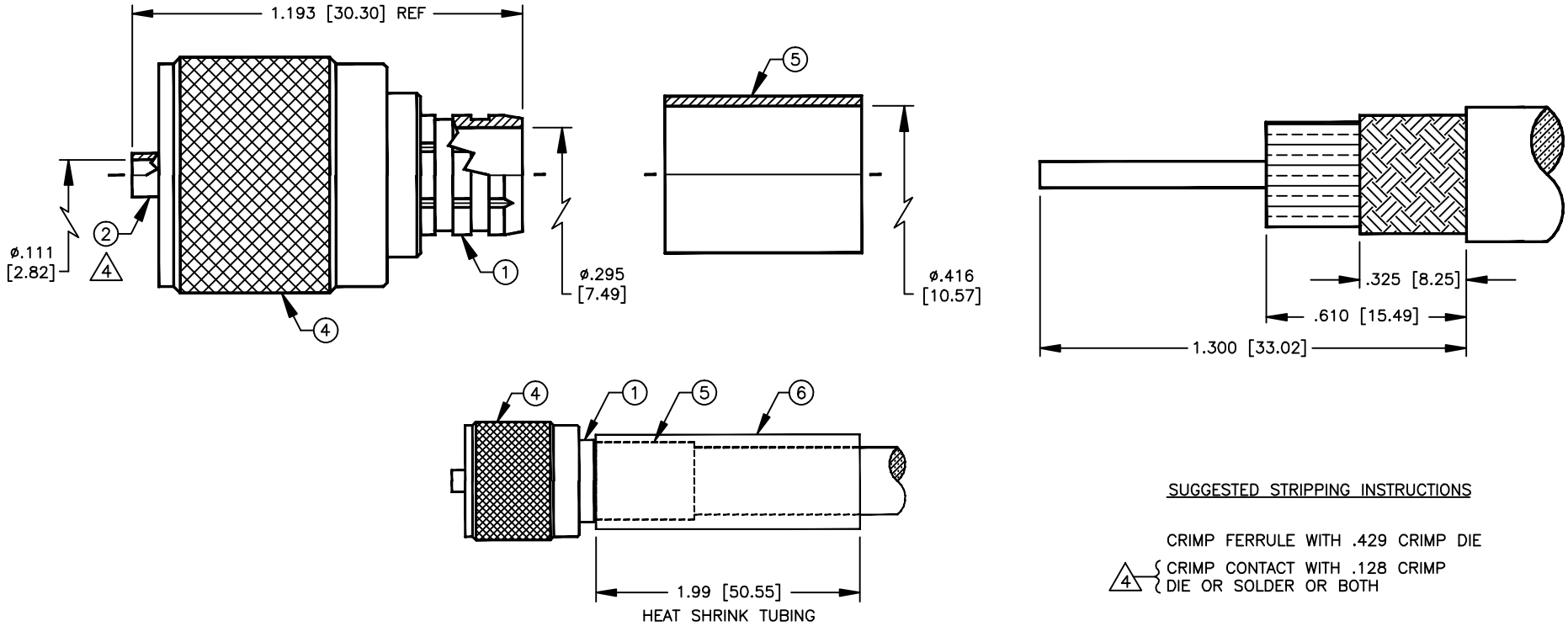
# SPECIFICATION CONTROL DRAWING

THIS DRAWING CONTAINS INFORMATION PROPRIETARY TO RF INDUSTRIES, LTD. ANY UNAUTHORIZED USE OF THIS DRAWING IS EXPRESSLY PROHIBITED. ANY VIOLATION IS PUNISHABLE UNDER U.S. COPYRIGHT LAWS.

REV	DESCRIPTION	DWN	DATE	APPROVED
A	ENGINEERING RELEASE	CZS	3/2/98	R. RICE

ALL DIMENSIONS ARE REFERENCE ONLY

000000



## SPECIFICATIONS:

IMPEDANCE: NON CONSTANT  
 WORKING VOLTAGE: 500 VRMS @ SEA LEVEL  
 FREQUENCY RANGE: 0-300 MHz  
 FOR BELDEN 89913 (PLENUM) CABLE

DIMENSIONS ARE IN INCHES AND [MILLIMETERS]

UNLESS OTHERWISE NOTED TOLERANCES ARE:

DECIMALS DIAMETER

ITEM	DESCRIPTION	QTY	MATERIAL	FINISH
6	TUBING	1	HEAT SHRINK	BLACK
5	FERRULE (FER-105)	1	BRASS	SILVER
4	SHELL	1	BRASS	SILVER
3	DIELECTRIC	1	PTFE	NONE
2	CONTACT	1	BRASS	SILVER
1	BODY	1	BRASS	SILVER

DRAWN	C. ZUNIGA	3/2/98
CHECKED		
ORJ DRAWN	C. ZUNIGA	3/2/98
APPROVALS		DATE

**RF connectors**  
 DIVISION OF RF INDUSTRIES, LTD.

7610 MIRAMAR RD  
 SAN DIEGO, CA 92126  
 (619)549-6340  
 (619)549-6345 FAX

## RFU-507-PL

UHF MALE CRIMP PLUG

SIZE	CABLE GROUP	DWG NO.	REV
A	PL	8877	A
SCALE:	2:1	CAD FILE	13ARC B
SHEET			1 OF 1