

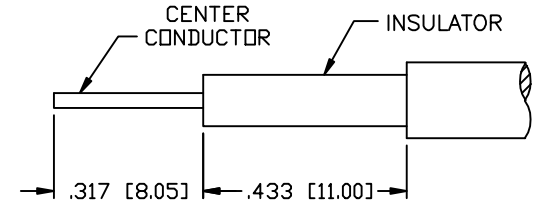
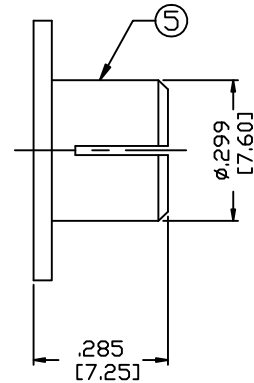
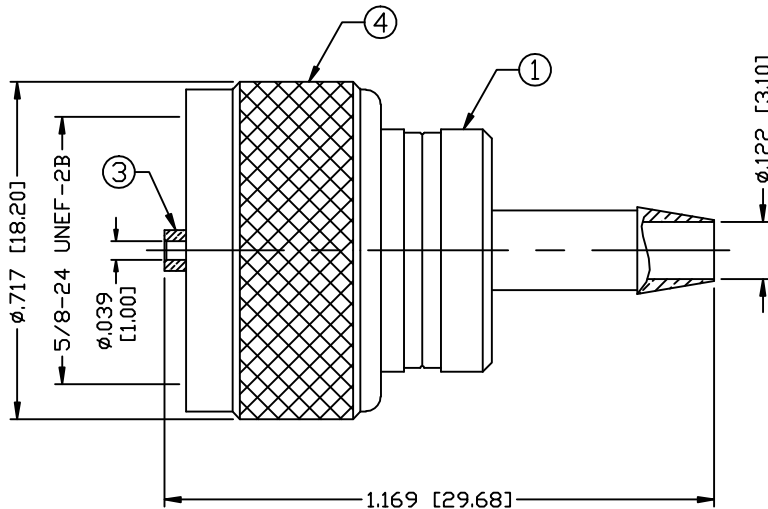
**SPECIFICATIONS:**

IMPEDANCE: NON CONSTANT  
 FREQUENCY RANGE: 0-300 MHz  
 WORKING VOLTAGE: 500 V rms max. @ sea level  
 FOR RG-58, 58A, 58C, 141, 141A, BELDEN 8240, 9907  
 8259, 8262, 9201, 9203, 9310, 9311 & COMM/SCOPE 0268

PART NO.

**RFU-504**

REV	DESCRIPTION	DWN	DATE	APPROVED
A	ENGINEERING RELEASE	CZS	7/21/98	R. RICE
B	CHANGE DWG FORMAT, SPECS, STRIPING & DWG#, WAS 8938	CZS	02/29/08	JDMc



RECOMMENDED STRIPPING DIMENSIONS

RECOMMENDED CRIMP DIE: .068"

1	BODY	1	BRASS	NICKEL, 100μ"
2	INSULATOR	1	DAP	---
3	CONTACT	1	BRASS	SILVER, 80μ"
4	SHELL	1	BRASS	NICKEL, 100μ"
5	FERRULE	1	BRASS	NICKEL, 100μ"
6				
7				
8				
9				
10				
11				
12				
13				
14				
#	DESCRIPTION	QTY	MATERIAL	FINISH

CUSTOMER OUTLINE DRAWING	
ALL DIMENSIONS ARE REFERENCE ONLY	
DRAWN	02/29/08
C. ZUNIGA	
CHECKED	
ORJ DRAWN	7/21/98
C. ZUNIGA	
APPROVALS	DATE

**R O H S**  
COMPLIANT

THIS DRAWING CONTAINS INFORMATION PROPRIETARY TO RF INDUSTRIES. ANY UNAUTHORIZED USE OF THIS DRAWING IS EXPRESSLY PROHIBITED WITHOUT WRITTEN PERMISSION FROM RF INDUSTRIES. ANY VIOLATION IS PUNISHABLE UNDER U.S. COPYRIGHT LAWS.

**RF connectors**  
DIVISION OF RF INDUSTRIES, LTD.

7610 MIRAMAR RD  
SAN DIEGO, CA 92126  
(858) 549-6340  
(858) 549-6345 FAX

**UHF PLUG / PL-259**  
WITH PUSH-ON FERRULE

SIZE	CABLE GROUP	DWG NO.	REV
A	C	RFU-504	B
SCALE:	NTS	ENGINEERING ID	000494
		SHEET	1 OF 1