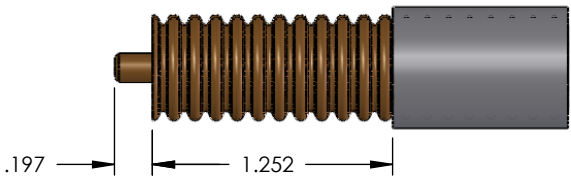
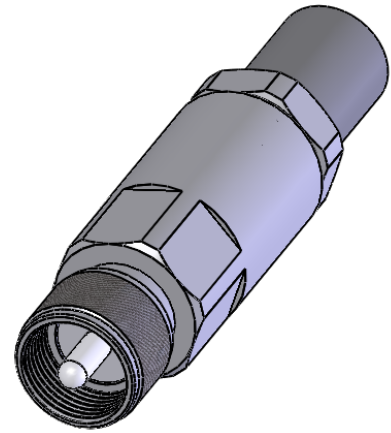
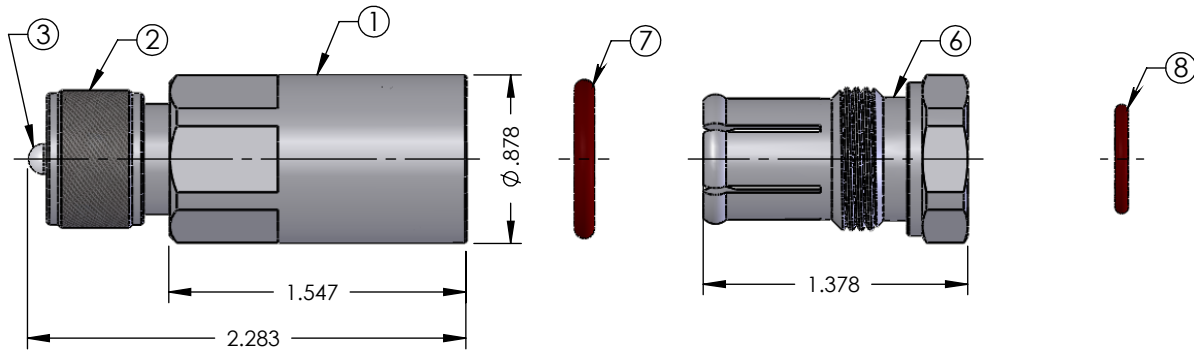


# RFU-502-H1

REV	DESCRIPTION	DATE	APPR
-	ENGINEERING RELEASE	12/08/08	JDM



RECOMMENDED STRIPPING DIMENSIONS

## SPECIFICATIONS:

IMPEDANCE: NON CONSTANT  
 FREQUENCY RANGE: 0-300 MHz  
 WORKING VOLTAGE: 500 V rms Max. @ Sea Lev  
 FOR ANDREW LDF4-50A & LDF4RN-50A, CELWAVE 810918-001  
 CABLEWAVE FLC12-50J & EUPEN 5128 CABLE

NOTE: SILICONE LUBRICATOR INCLUDED (NOT SHOWN)

#	DESCRIPTION	PART NUMBER	MATERIAL	FINISH	QTY.
8	O-RING	023-10X-002-LR	SILICONE RUBBER	NONE	1
7	O-RING	023-10X-001-LR	SILICONE RUBBER	NONE	1
6	SPRING CLAMP	003-06X-001-BT	Brass	WHITE BRONZE	1
5	RETAINING RING	027-06M-001-BT	Brass	NONE	1
4	INSULATOR	010-06X-002-TX	PTFE	NONE	1
3	PIN	009-06M-011-PS	PHOSPHOR BRONZE	SILVER	1
2	SHELL	012-06M-001-BT	Brass	WHITE BRONZE	1
1	BODY	001-06M-001-BT	Brass	WHITE BRONZE	1

<b>ROHS</b> COMPLIANT	NAME	DATE
	DRAWN C. ZUNIGA	12/08/08
	CHECKED	
UNLESS OTHERWISE SPECIFIED:	ENG APPR.	
DIMENSIONS ARE IN INCHES	<b>PROPRIETARY AND CONFIDENTIAL</b>	
ALL DIMENSIO S ARE FOR REFERENCE ONLY	THE INFORMATION CONTAINED IN THIS DRAWING IS THE SOLE PROPERTY OF RF INDUSTRIES. ANY REPRODUCTION IN PART OR AS A WHOLE WITHOUT THE WRITTEN PERMISSION OF RF INDUSTRIES IS STRICTLY PROHIBITED.	
CABLE GROUP	<b>H1</b>	
CODE	008974	

<b>RF INDUSTRIES</b> 7610 MIRAMAR RD. SAN DIEGO, CA. 92126 858-549-6340 FAX 858-549-6345		
TITLE: <b>UHF PLUG, CLAMP</b>		
SIZE <b>A</b>	DWG. NO. <b>RFU-502-H1</b>	REV <b>-</b>
SCALE: NTS	NOTES:	SHEET 1 OF 1