

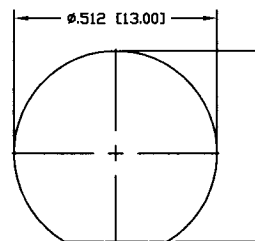
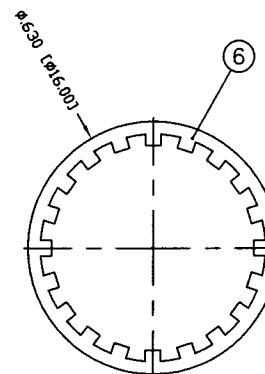
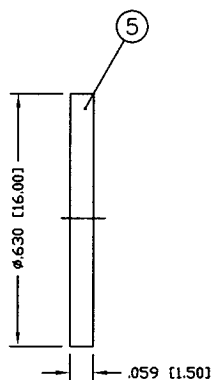
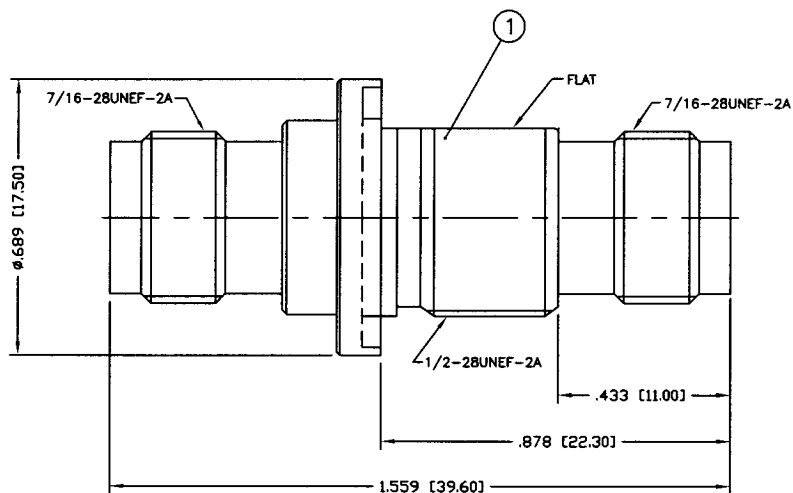
THIS DRAWING CONTAINS INFORMATION PROPRIETARY TO RF INDUSTRIES,
 ANY UNAUTHORIZED USE OF THIS DRAWING IS EXPRESSLY PROHIBITED
 WITHOUT WRITTEN PERMISSION FROM RF INDUSTRIES.
 ANY VIOLATION IS PUNISHABLE UNDER U.S. COPYRIGHT LAWS.

ALL DIMENSIONS ARE REFERENCE ONLY

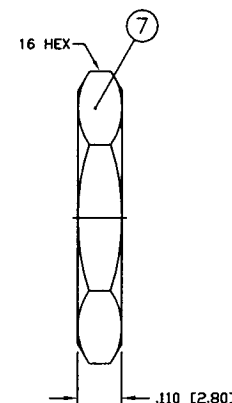
PART NO.

RFT-1226

REV	DESCRIPTION	DWN	DATE	APPROVED
A	ENGINEERING RELEASE	KMM	7/28/95	R. RICE
B	UPDATE DWG FORMAT AND SPEC'S & PART NUMBER(WAS 8544)	JDM	12/23/02	JDMc



RECOMMENDED CUTOUT



SPECIFICATIONS:

IMPEDANCE: 50 Ohms
 FREQUENCY RANGE: 0-7 GHz
 VSWR: < 1.10:1 UP TO 5 GHz
 WORKING VOLTAGE: 500 V rms @ SEA LEVEL
 INSULATION RESISTANCE: 5k M ohms min.
 TEMPERATURE RANGE: -65°C TO 165°C (GASKET 85°C MAX)

1	BODY	1	BRASS	NICKEL, 100μ"
2	BODY	1	BRASS	NICKEL, 100μ"
3	INSULATOR	1	PTFE	WHITE
4	CONTACT	1	PHOS. B.	GOLD, 3μ"
5	GASKET	1	RUBBER	RED
6	LOCK WASHER	1	BRASS	NICKEL, 100μ"
7	HEX NUT	1	BRASS	NICKEL, 100μ"

008974

UNLESS OTHERWISE SPECIFIED:

1. REMOVE ALL BURRS
2. BREAK ALL CORNERS & EDGES .005 R. MAX.
3. CHAMFER 1ST & LAST THREADS 45°
4. SURFACE ROUGHNESS 63 FINISH MIL-STD-10
5. DIAMETERS ON COMMON CENTERS TO BE CONCENTRIC WITHIN .002 T.I.R.
6. ALL DIMENSIONS ARE AFTER PLATING.

DIMENSIONS ARE IN INCHES AND [MILLIMETERS]

UNLESS OTHERWISE NOTED TOLERANCES ARE:

DECIMALS	DIAMETER
.xxx±.003 [.08]	.xxx±.001 [.03]
.xx±.005 [-.13]	.xx±.003 [.08]

RFconnectors
 DIVISION OF RF INDUSTRIES, LTD.

7610 MIRAMAR RD
 SAN DIEGO, CA 92126
 (858) 549-6340
 (858) 549-6345 FAX

TNC JACK TO TNC JACK

BULKHEAD ADAPTER, W/ PANEL SEAL GASKET

SIZE	CABLE GROUP	DWG NO.	REV
A	N/A	RFT-1226	B

SCALE: NTS

CAD FILE OUTLINE

SHEET 1 OF 1

#	DESCRIPTION	QTY	MATERIAL	FINISH	APPROVALS	DATE
10					DRAWN JDMc	11/17/03
11					CHECKED [Signature]	11-17-03
12					ORJ DRAWN [Signature]	
13					JDMc	11/17/03