

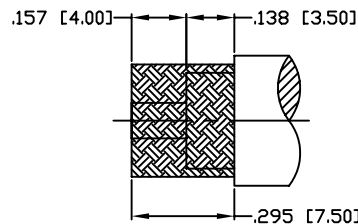
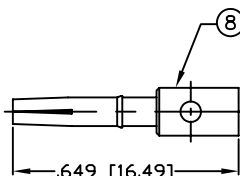
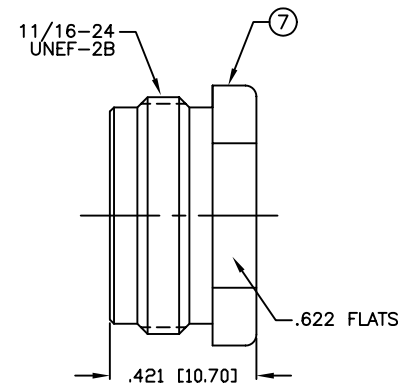
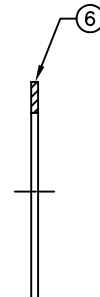
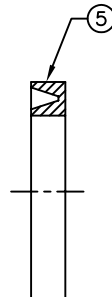
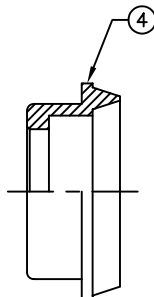
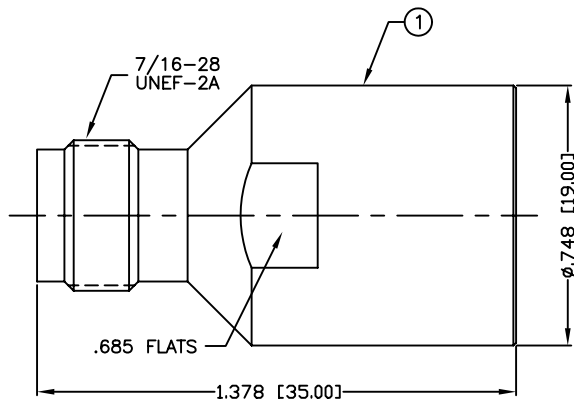
THIS DRAWING CONTAINS INFORMATION PROPRIETARY TO RF INDUSTRIES.
 ANY UNAUTHORIZED USE OF THIS DRAWING IS EXPRESSLY PROHIBITED
 WITHOUT WRITTEN PERMISSION FROM RF INDUSTRIES.
 ANY VIOLATION IS PUNISHABLE UNDER U.S. COPYRIGHT LAWS.

ALL DIMENSIONS ARE REFERENCE ONLY

PART NO.

RFT-1214-1

REV	DESCRIPTION	DWN	DATE	APPROVED
A	ENGINEERING RELEASE	KMM	11/28/95	R. RICE
B	CHANGE BODY PLATING TO NICKEL	KMM	1/9/96	R. RICE
C	CHANGE DIMENSIONS THROUGHTOUT, PIN DESIGN & STRIPPING DIM	GGG	11/06/01	JDMc
D	ADDED SOLDER ONLY NOTE & UPDATED SPECS	CZS	08/08/06	JDMc



SPECIFICATIONS:

IMPEDANCE: 50 Ohms
 FREQUENCY RANGE: 0-11 GHz
 WORKING VOLTAGE: 500 VRMS
 INSULATION RESISTANCE: 5k M ohms min.
 TEMPERATURE RANGE: -65°C TO +85°C
 FOR BELDEN 8214, 9913, 9913F, 9914, RG-8/U TYPE,
 CAROL C1180, TIMES AA-5886 & LMR-400 CABLE

RECOMMENDED CRIMP DIE: .118/.128"
 "SOLDER ONLY" FOR RG-8/U TYPE CABLE

RECOMMENDED STRIPPING DIMENSIONS

1	BODY	1	BRASS	NICKEL, 100μ ⁿ
2	INSULATOR	1	PTFE	---
3	WASHER	1	BRASS	NICKEL, 100μ ⁿ
4	CLAMP	1	BRASS	NICKEL, 100μ ⁿ
5	GASKET	1	SILICONE	---
6	WASHER	1	BRASS	NICKEL, 100μ ⁿ
7	NUT	1	BRASS	NICKEL, 100μ ⁿ
8	CONTACT	1	PHOS BRONZE	GOLD, 3μ ⁿ
9				
10				
11				
12				
13				
14				
#	DESCRIPTION	QTY	MATRL	FINISH

008974		
DRAWN	C. ZUNIGA	08/08/06
CHECKED		
ORJ DRAWN	P. BREAUX	11/28/95
APPROVALS		DATE

UNLESS OTHERWISE SPECIFIED:

- REMOVE ALL BURRS
- BREAK ALL CORNERS & EDGES .005 R. MAX.
- CHAMFER 1ST & LAST THREADS 45°
- SURFACE ROUGHNESS 63 FINISH MIL-STD-10
- DIAMETERS ON COMMON CENTERS TO BE CONCENTRIC WITHIN .002 T.I.R.
- ALL DIMENSIONS ARE AFTER PLATING.

DIMENSIONS ARE IN INCHES AND [MILLIMETERS]

UNLESS OTHERWISE NOTED TOLERANCES ARE:

DECIMALS	DIAMETER
.xxx±.003 [.08]	.xxx±.001 [.03]
.xx±.005 [.13]	.xx±.003 [.08]

7610 MIRAMAR RD
 SAN DIEGO, CA 92126
 (858) 549-6340
 (858) 549-6345 FAX

RF connectors
 DIVISION OF RF INDUSTRIES, LTD.

TNC JACK, CLAMP

SIZE	CABLE GROUP	DWG NO.	REV
A	I	RFT-1214-1	D

SCALE: NTS CAD FILE OUTLINE SHEET 1 OF 1