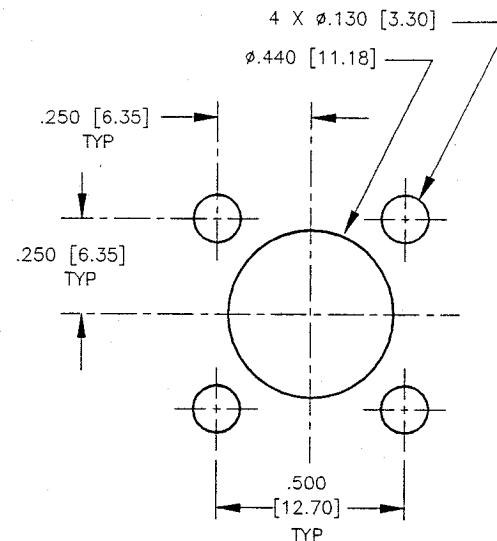
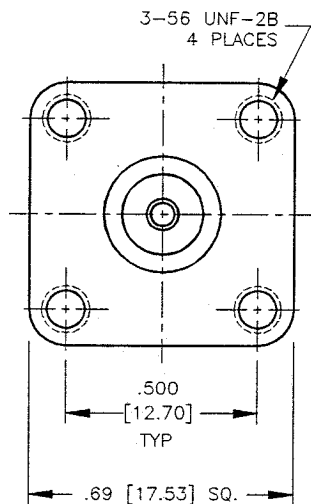
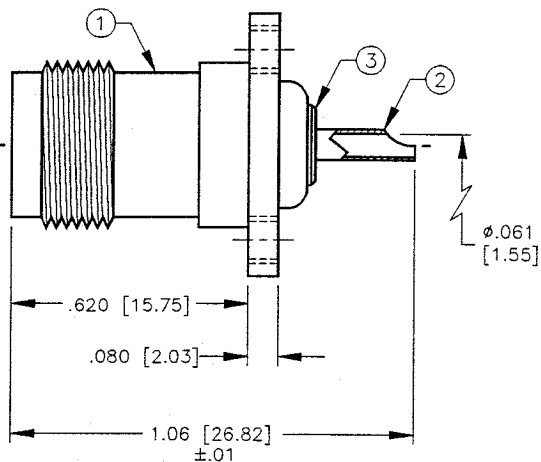


ENVELOPE / ASSEMBLY DRAWING

000000

SPECIFICATION CONTROL DRAWING		REV	DESCRIPTION	DWN	DATE	APPROVED
THIS DRAWING CONTAINS INFORMATION PROPRIETARY TO RF INDUSTRIES, LTD. ANY UNAUTHORIZED USE OF THIS DRAWING IS EXPRESSLY PROHIBITED. ANY VIOLATION IS PUNISHABLE UNDER U.S. COPYRIGHT LAWS.		A	ENGINEERING RELEASE	CZS	10/22/98	R. RICE
		B	CHANGE TOLERANCE	CZS	1/25/99	R. RICE



SUGGESTED MOUNTING CONFIGURATION

SPECIFICATIONS:

IMPEDANCE: 50 OHMS
 WORKING VOLTAGE: 500 VRMS @ SEA LEVEL
 FREQUENCY RANGE: 0-7 GHz
 INTERFACE PER MIL-STD-348A, SECTION 313.2

ITEM	DESCRIPTION	QTY	MATERIAL	FINISH
3	DIELECTRIC	1	TEFLON	NONE
2	CONTACT	1	BeCu	GOLD
1	BODY	1	BRASS	NICKEL

DIMENSIONS ARE IN INCHES AND [MILLIMETERS]

UNLESS OTHERWISE NOTED TOLERANCES ARE:

DECIMALS DIAMETER
 .XXX±.003 [.08] .XXX±.001 [.03]
 .XX±.005 [.13] .XX±.003 [.08]
 ANGLES: ±1°

DRAWN	C. ZUNIGA	1/25/99
CHECKED	<i>[Signature]</i>	1/25/99
ORJ DRAWN	C. ZUNIGA	10/22/98
APPROVALS		DATE

RF connectors
 DIVISION OF RF INDUSTRIES, LTD.

7610 MIRAMAR RD
 SAN DIEGO, CA 92126
 (619)549-6340
 (619)549-6345 FAX

RFT-1210-15

TNC FEMALE 4 HOLE FLANGE

SIZE	CABLE GROUP	DWG NO.	REV
A	N/A	8971	B
SCALE: 2:1		CAD FILE 13ARC B	SHEET 1 OF 1