

ENVELOPE / ASSEMBLY DRAWING

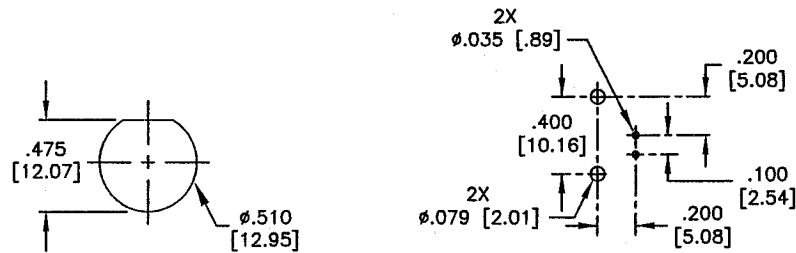
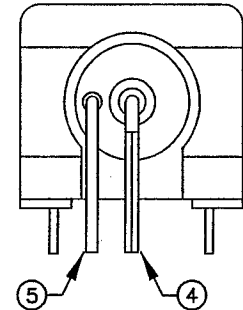
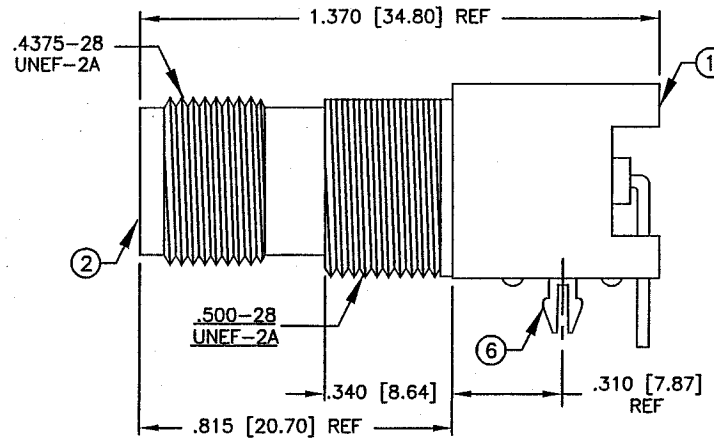
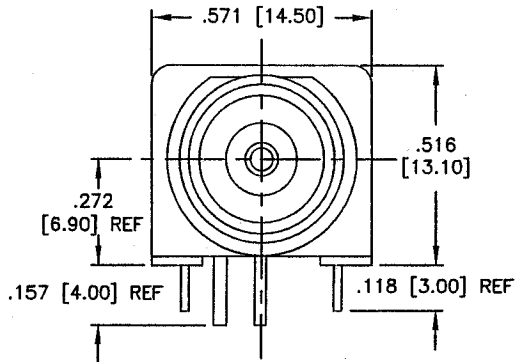
000360

SPECIFICATION CONTROL DRAWING

THIS DRAWING CONTAINS INFORMATION PROPRIETARY TO RF INDUSTRIES, LTD. ANY UNAUTHORIZED USE OF THIS DRAWING IS EXPRESSLY PROHIBITED. ANY VIOLATION IS PUNISHABLE UNDER U.S. COPYRIGHT LAWS.

REV	DESCRIPTION	DWN	DATE	APPROVED
-	ENGINEERING RELEASE	CZS	4/27/00	J. D. McR.

ALL DIMENSIONS ARE REFERENCE ONLY



SUGGESTED MOUNTING CONFIGURATION

SCALE 1:1

SPECIFICATIONS:

IMPEDANCE: 50 OHMS
 WORKING VOLTAGE: 500 VRMS @ SEA LEVEL
 FREQUENCY RANGE: 0-1 GHz
 INTERFACE PER MIL-STD-348, SECTION 313.2
 * CONTACT GOLD PLATING AT TNC END - TIN/LEAD PLATING AT CIRCUIT BOARD END

DIMENSIONS ARE IN INCHES AND [MILLIMETERS]
 UNLESS OTHERWISE NOTED TOLERANCES ARE:
 DECIMALS DIAMETER

RFconnectors
 DIVISION OF RF INDUSTRIES, LTD.
 7610 MIRAMAR RD
 SAN DIEGO, CA 92126
 (858) 549-6340
 (858) 549-6345 FAX

RFT-1209-W-05

TNC FEMALE RIGHT ANGLE, LOW PROFILE
 PCB MOUNT, NO HARDWARE

ITEM	DESCRIPTION	QTY	MATERIAL	FINISH
6	SNAP MOUNTING LEGS	2	BRASS	NICKEL
5	GROUND LEAD	1	BRASS	SOLDER TIN
4	SOCKET CONTACT	1	BRASS	*
3	DIELECTRIC	1	POLYPROPYLENE	NONE
2	BODY	1	BRASS	NICKEL
1	BODY	1	VALOX (PBT)	WHITE

DRAWN	C. ZUNIGA	4/27/00
CHECKED	<i>CZS</i>	4-27-00
ORJ DRAWN	C. ZUNIGA	4/27/00
APPROVALS	DATE	

SIZE	CABLE GROUP	DWG NO.	REV
A	N/A	RFT1209W05	-
SCALE:	2:1	CAD FILE	SHEET 1 OF 1