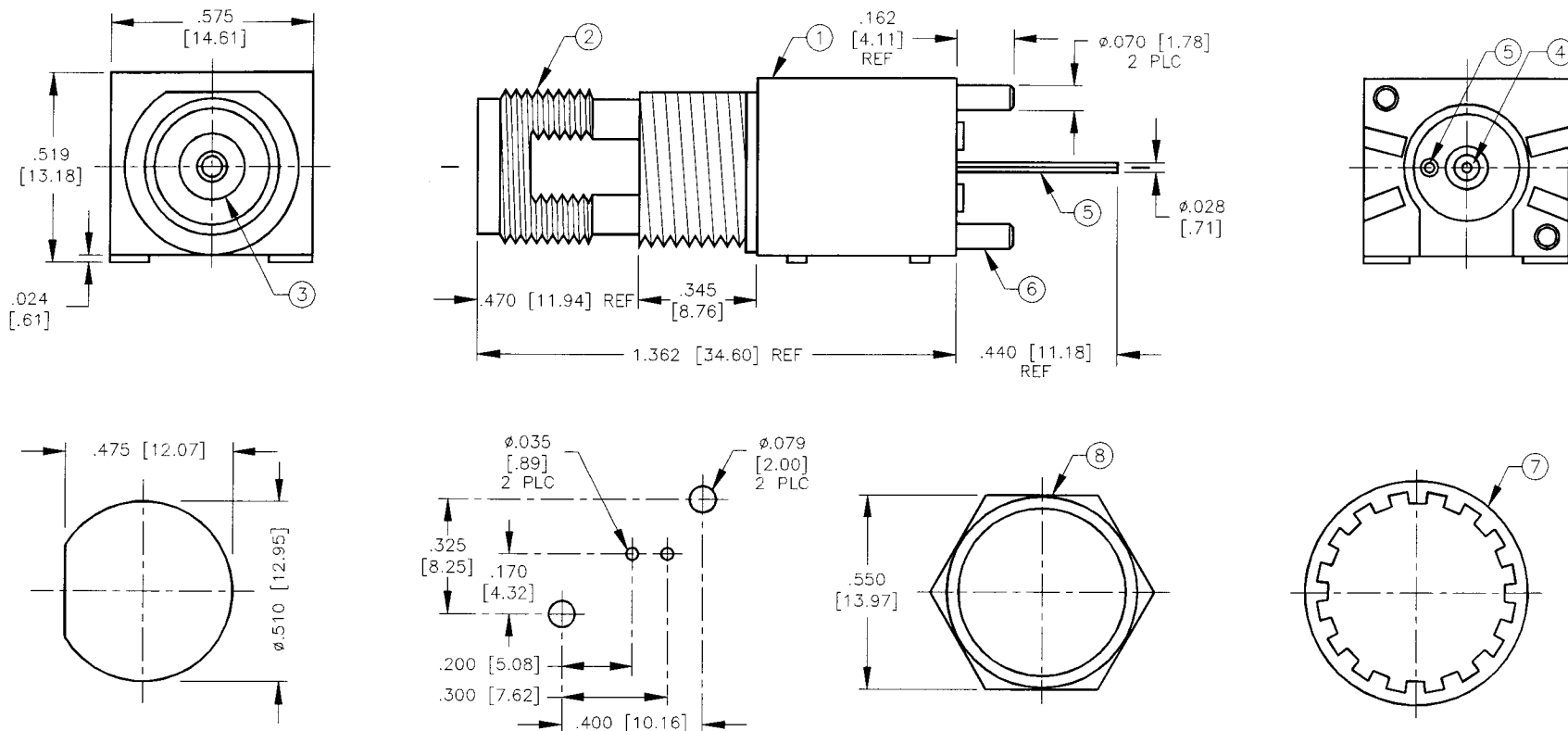


# ENVELOPE / ASSEMBLY DRAWING

009106

SPECIFICATION CONTROL DRAWING		REV	DESCRIPTION	DWN	DATE	APPROVED
THIS DRAWING CONTAINS INFORMATION PROPRIETARY TO RF INDUSTRIES, LTD. ANY UNAUTHORIZED USE OF THIS DRAWING IS EXPRESSLY PROHIBITED. ANY VIOLATION IS PUNISHABLE UNDER U.S. COPYRIGHT LAWS.		A	ENGINEERING RELEASE	CZS	4/20/99	R. RICE

ALL DIMENSIONS ARE REFERENCE ONLY



## SPECIFICATIONS:

IMPEDANCE: 50 OHMS  
 INTERFACE PER MIL-STD-348A, SECTION 313.2  
 \* CONTACT GOLD PLATING AT TNC END - TIN/LEAD PLATING AT CIRCUIT BOARD END

DIMENSIONS ARE IN INCHES AND [MILLIMETERS]  
 UNLESS OTHERWISE NOTED TOLERANCES ARE:  
 DECIMALS DIAMETER

**RF connectors**  
 DIVISION OF RF INDUSTRIES, LTD.

7610 MIRAMAR RD  
 SAN DIEGO, CA 92126  
 (619) 549-6340  
 (619) 549-6345 FAX

ITEM	DESCRIPTION	QTY	MATERIAL	FINISH
8	HEX NUT	1	BRASS	NICKEL
7	LOCK WASHER	1	PHOS BRONZE	NICKEL
6	POST LEG	2	BRASS	TIN
5	GROUND LEAD	1	BRASS	TIN
4	CONTACT	1	PHOS BRONZE	*
3	DIELECTRIC	1	POLYPROPYLENE	NONE
2	BODY	1	ZINC DIECAST	NICKEL
1	BODY	1	ABS (VALOX)	BLACK

DRAWN C. ZUNIGA	4/20/99
CHECKED <i>[Signature]</i>	
OR DRAWN C. ZUNIGA	4/20/99
APPROVALS	DATE

<b>RFT-1209-1B</b>			
TNC FEMALE VERTICAL PC MOUNT, LOW PROFILE			
SIZE A	CABLE GROUP N/A	DWG NO. 9162	REV A
SCALE: 2:1	CAD FILE 13ARC B	SHEET 1 OF 1	