

ENVELOPE / ASSEMBLY DRAWING

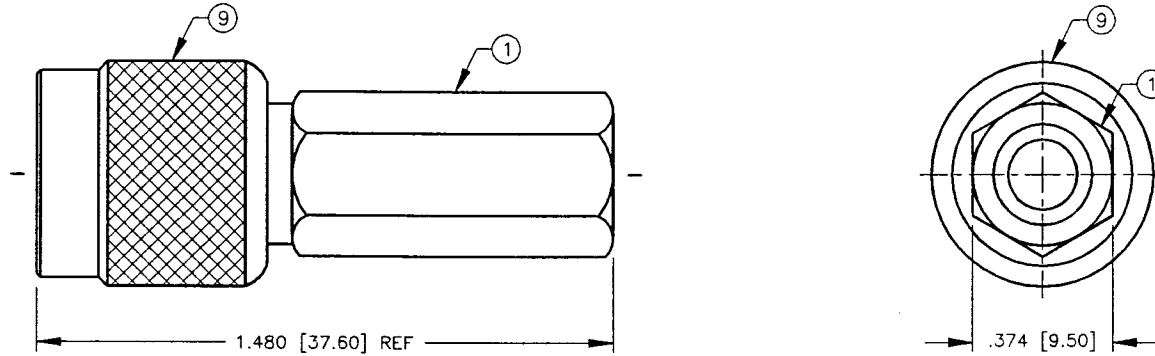
008974

SPECIFICATION CONTROL DRAWING

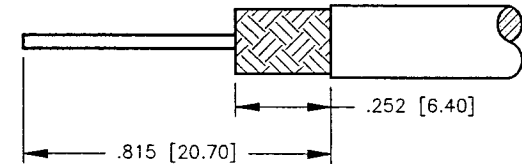
THIS DRAWING CONTAINS INFORMATION PROPRIETARY TO RF INDUSTRIES, LTD. ANY UNAUTHORIZED USE OF THIS DRAWING IS EXPRESSLY PROHIBITED. ANY VIOLATION IS PUNISHABLE UNDER U.S. COPYRIGHT LAWS.

REV	DESCRIPTION	DWN	DATE	APPROVED
A	ENGINEERING RELEASE	CZS	12/8/97	R. RICE

ALL DIMENSIONS ARE REFERENCE ONLY



SCREW CONNECTOR ONTO CABLE IN A CLOCKWISE DIRECTION UNTIL IT STOPS



SPECIFICATIONS:

IMPEDANCE: 50 OHMS
 WORKING VOLTAGE: 500 VRMS @ SEA LEVEL
 FREQUENCY RANGE: 0-7 GHz
 FOR RG-58, 58A, 58C, 141, 141A, 400/U, BELDEN 8240,
 8259, 8262, 9201, 9203, 9310, 9311,
 COMM/SCOPE 0268 & CUSHCRAFT ULTRALINK TL92463E

ITEM	DESCRIPTION	QTY	MATERIAL	FINISH
9	SHELL	1	BRASS	NICKEL
8	WASHER	1	BRASS	NICKEL
7	WASHER	1	DELTRIN	NONE
6	SPLIT LOCK WASHER	1	BRASS	NICKEL
5	GASKET	1	S.I. RUBBER	RED
4	DIELECTRIC	1	DELTRIN	NONE
3	DIELECTRIC	1	DELTRIN	NONE
2	PIN	1	BRASS	SILVER
1	BODY	1	BRASS	NICKEL

DIMENSIONS ARE IN INCHES AND [MILLIMETERS]	
UNLESS OTHERWISE NOTED TOLERANCES ARE:	
DECIMALS	DIAMETER
DRAWN C. ZUNIGA	12/8/97
CHECKED <i>[Signature]</i>	12/11/97
ORJ DRAWN C. ZUNIGA	12/8/97
APPROVALS	DATE

RF connectors

DIVISION OF RF INDUSTRIES, LTD.

7610 MIRAMAR RD
 SAN DIEGO, CA 92126
 (619)549-6340
 (619)549-6345 FAX

RFT-1206

TNC MALE TWIST-ON PLUG

SIZE A	CABLE GROUP C	DWG NO. 8798	REV A
SCALE: 2:1		CAD FILE 13ARC B	SHEET 1 OF 1