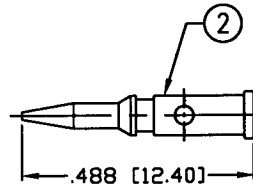
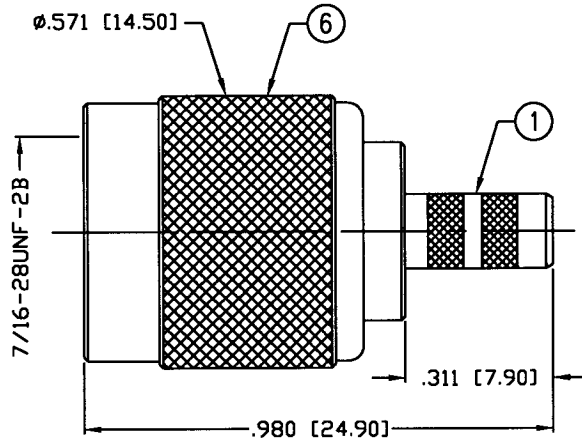


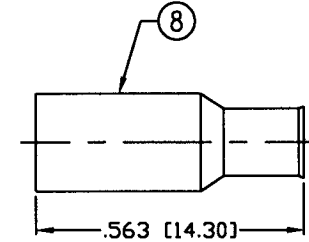
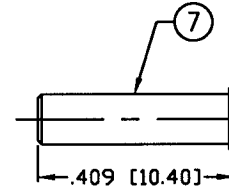
THIS DRAWING CONTAINS INFORMATION PROPRIETARY TO RF INDUSTRIES.
 ANY UNAUTHORIZED USE OF THIS DRAWING IS EXPRESSLY PROHIBITED
 WITHOUT WRITTEN PERMISSION FROM RF INDUSTRIES.
 ANY VIOLATION IS PUNISHABLE UNDER U.S. COPYRIGHT LAWS.

ALL DIMENSIONS ARE REFERENCE ONLY

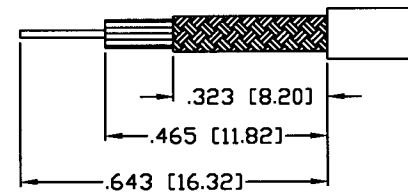
PART NO.		RFT-1202-3B1		
REV	DESCRIPTION	DWN	DATE	APPROVED
-	ENGINEERING RELEASE	GGG	08/02/00	CZS



RECOMMENDED
CRIMP DIE: .68"



RECOMMENDED
CRIMP DIE: .178" & .130"



RECOMMENDED STRIPPING INSTRUCTIONS

SPECIFICATIONS:

IMPEDANCE: 50 Ohms
 FREQUENCY RANGE: 0-7 GHz
 WORKING VOLTAGE: 500 VRMS
 INSULATION RESISTANCE: 5k M ohms min.
 TEMPERATURE RANGE: -65°C TO 85°C
 FOR RG-316/U DOUBLE SHIELD CABLE

1	BODY	1	BRASS	NICKEL, 100μ"	000486	
2	PIN	1	BRASS	GOLD, 3μ"		
3	INSULATOR	1	PTFE	----		
4	GASKET	1	RUBBER	----		
5	GRND RING	1	BRASS	NICKEL, 100μ"		
6	SHELL	1	BRASS	NICKEL, 100μ"		
7	INSERT	1	BRASS	NICKEL, 100μ"		
8	FERRULE	1	BRASS	NICKEL, 100μ"		
9	LOCK WASHER	1	BRASS	NICKEL, 100μ"		
10						
11						
12						
13						
14						
#	DESCRIPTION	QTY	MATRL	FINISH	APPROVALS	DATE

DRAWN
G. GALLEGOS 2/26/02
 CHECKED
G. GALLEGOS 2/26/02
 ORJ DRAWN
G. GALLEGOS 2/26/02

UNLESS OTHERWISE SPECIFIED:
 1. REMOVE ALL BURRS
 2. BREAK ALL CORNERS & EDGES .005 R. MAX.
 3. CHAMFER 1ST & LAST THREADS 45°
 4. SURFACE ROUGHNESS 63 FINISH MIL-STD-10
 5. DIAMETERS ON COMMON CENTERS TO BE CONCENTRIC WITHIN .002 T.I.R.
 6. ALL DIMENSIONS ARE AFTER PLATING.

DIMENSIONS ARE IN INCHES AND [MILLIMETERS]
 UNLESS OTHERWISE NOTED TOLERANCES ARE:
 DECIMALS DIAMETER
 .xxx±.003 [.08] .xxx±.001 [.03]
 .xx±.005 [.13] .xx±.003 [.08]

RF connectors
 DIVISION OF RF INDUSTRIES, LTD.
 7610 MIRAMAR RD
 SAN DIEGO, CA 92126
 (858) 549-6340
 (858) 549-6345 FAX

TNC PLUG CRIMP

SIZE	CABLE GROUP	DWG NO.	REV
A	B1	RFT-1202-3B1	-
SCALE: NTS		CAD FILE OUTLINE	SHEET 1 OF 1