

ENVELOPE / ASSEMBLY DRAWING

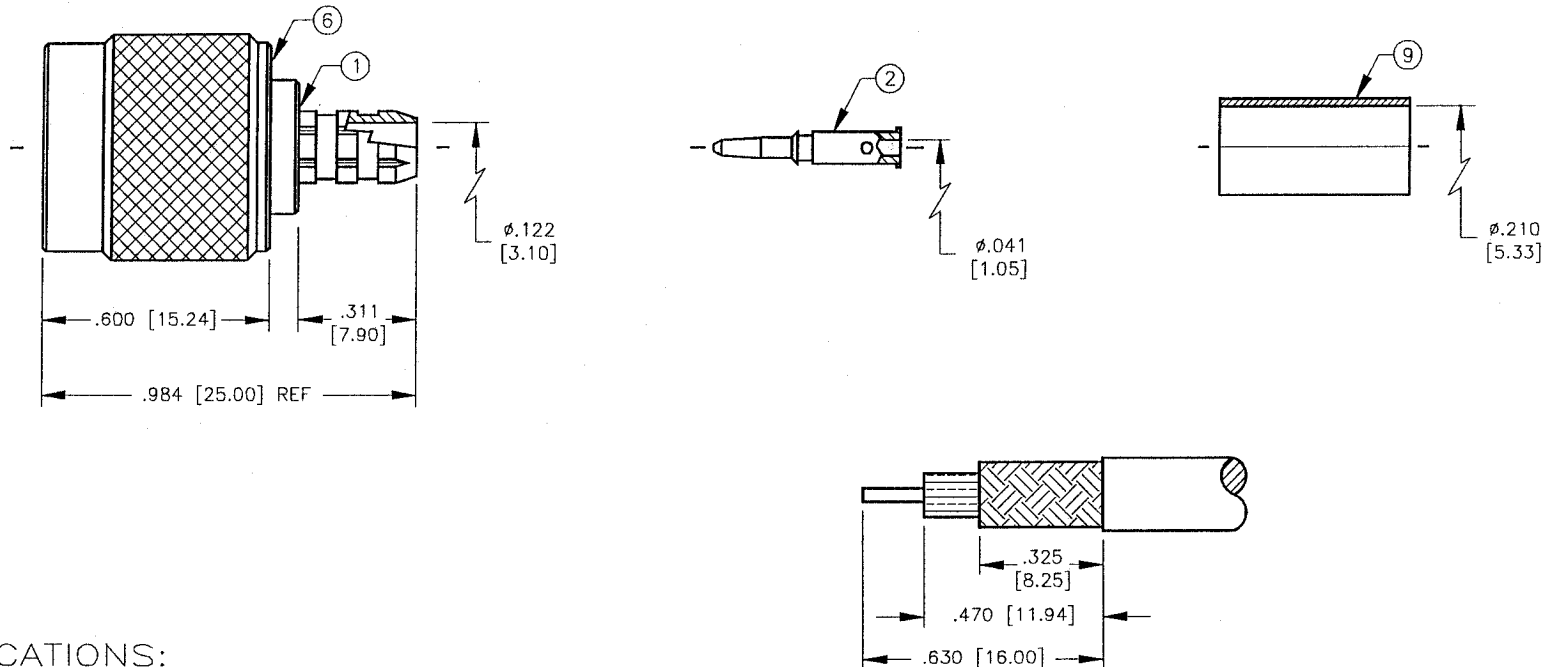
008974

SPECIFICATION CONTROL DRAWING

THIS DRAWING CONTAINS INFORMATION PROPRIETARY TO RF INDUSTRIES, LTD. ANY UNAUTHORIZED USE OF THIS DRAWING IS EXPRESSLY PROHIBITED. ANY VIOLATION IS PUNISHABLE UNDER U.S. COPYRIGHT LAWS.

REV	DESCRIPTION	DWN	DATE	APPROVED
A	ENGINEERING RELEASE	CZS	10/5/99	R. RICE

ALL DIMENSIONS ARE REFERENCE ONLY



SPECIFICATIONS:

IMPEDANCE: 50 OHMS
 WORKING VOLTAGE: 500 VRMS @ SEA LEVEL
 FREQUENCY RANGE: 0-7 GHz
 INSERTION LOSS: ≤ -0.2 dB @ 3 GHz
 VSWR MAX: 1.3:1 @ 3 GHz
 FOR RG-58, 58A, 58C, 141, 141A, BELDEN 8240,
 8259, 8262, 9201, 9203, 9310, 9311 & COMM/SCOPE 0268
 INTERFACE PER MIL-STD-348, SECTION 313.1

SUGGESTED STRIPPING INSTRUCTIONS

SUGGESTED CRIMP DIES: .068 & .213

DIMENSIONS ARE IN INCHES AND [MILLIMETERS]

UNLESS OTHERWISE NOTED TOLERANCES ARE:
DECIMALS DIAMETER

DRAWN C. ZUNIGA	10/5/99
CHECKED <i>C. Zuniga</i>	10/10/99
ORIG DRAWN C. ZUNIGA	10/5/99
APPROVALS	DATE

RFconnectors
DIVISION OF RF INDUSTRIES, LTD.

7610 MIRAMAR RD
SAN DIEGO, CA 92126
(858) 549-6340
(858) 549-6345 FAX

RFT-1202-2B

TNC MALE CRIMP

SIZE A	CABLE GROUP C	DWG NO. 9249	REV A
SCALE: 2:1		CAD FILE 13ARC B	SHEET 1 OF 1

ITEM	DESCRIPTION	QTY	MATERIAL	FINISH
9	FERRULE	1	COPPER	BLK CHROME
8	SHELL	1	BRASS	BLK CHROME
7	WASHER	1	BRASS	BLK CHROME
6	RING	1	DELTRIN	NONE
5	RETAINING RING	1	BRASS	NONE
4	GASKET	1	S.I. RUBBER	RED
3	DIELECTRIC	1	DELTRIN	NONE
2	PIN [PIN-303-12]	1	BRASS	GOLD
1	BODY	1	BRASS	BLK CHROME