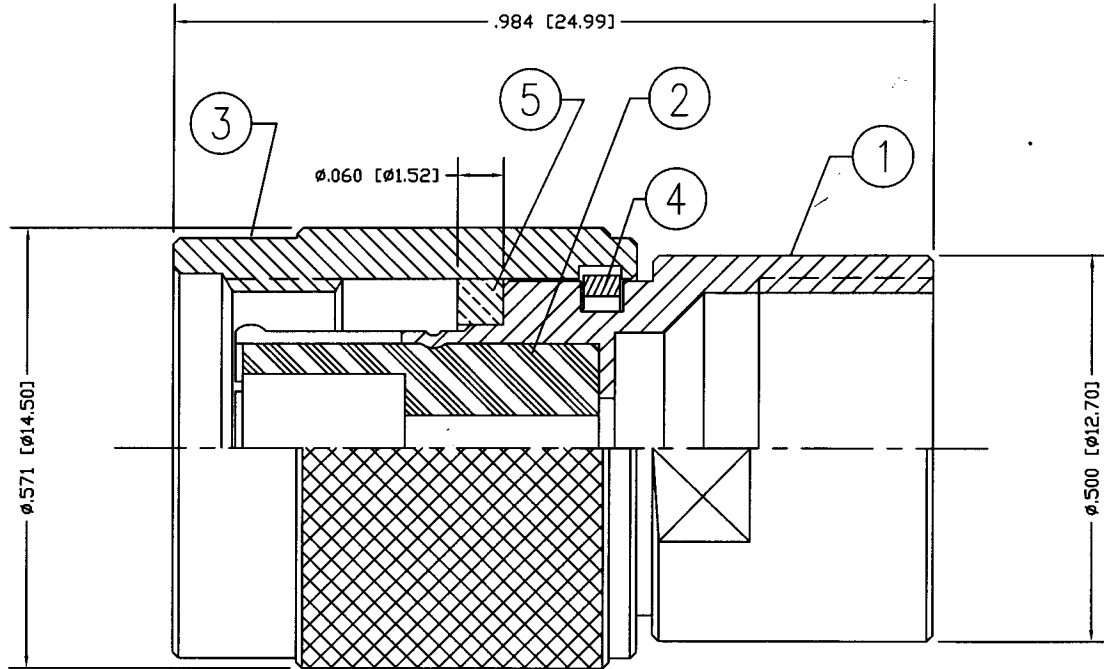


THIS DRAWING CONTAINS INFORMATION PROPRIETARY TO RF INDUSTRIES,  
 ANY UNAUTHORIZED USE OF THIS DRAWING IS EXPRESSLY PROHIBITED  
 WITHOUT WRITTEN PERMISSION FROM RF INDUSTRIES.  
 ANY VIOLATION IS PUNISHABLE UNDER U.S. COPYRIGHT LAWS.

PART NO.		<b>RFT-1200-HY-06</b>		
REV	DESCRIPTION	DWN	DATE	APPROVED
-	ENGINEERING RELEASE	JDM	5/15/02	



NOTE: PART IS CUSTOMER SPECIFIED AND CUSTOMER APPROVAL IS REQUIRED PRIOR TO ANY CHANGES.

1	001-12M-005-BN	1	BRASS	NICKEL, 100 $\mu$ "	000486	
2	010-12M-002-TX	1	PTFE	---		
3	012-12M-003-BN	1	BRASS	NICKEL, 100 $\mu$ "		
4	027-12M-001-BN	1	BRASS	NICKEL, 100 $\mu$ "		
5	028-12M-001-LX	1	SILICONE	NICKEL, 100 $\mu$ "		
6						
7						
8						
9						
10						
11						
12						
13						
14						
#	SUB-PART #	QTY	MATRL	FINISH	APPROVALS	DATE

UNLESS OTHERWISE SPECIFIED:  
 1. REMOVE ALL BURRS  
 2. BREAK ALL CORNERS & EDGES .005 R. MAX.  
 3. CHAMFER 1ST & LAST THREADS 45°  
 4. SURFACE ROUGHNESS 63 FINISH MIL-STD-10  
 5. DIAMETERS ON COMMON CENTERS TO BE CONCENTRIC WITHIN .002 T.I.R.  
 6. ALL DIMENSIONS ARE AFTER PLATING.

DIMENSIONS ARE IN INCHES AND [MILLIMETERS]  
 UNLESS OTHERWISE NOTED TOLERANCES ARE:  
 DECIMALS      DIAMETER

RF

7610 MIRAMAR RD  
 SAN DIEGO, CA 92126  
 (858) 549-6340  
 (858) 549-6345 FAX

DIVISION OF RF INDUSTRIES, LTD.

## TNC PLUG

SPECIAL

SIZE <b>A</b>	CABLE GROUP <b>N/A</b>	DWG NO. <b>RFT-1200-HY-06</b>	REV <b>—</b>
SCALE:    NTS		CAD FILE    OUTLINE	

SHEET 1 OF 1