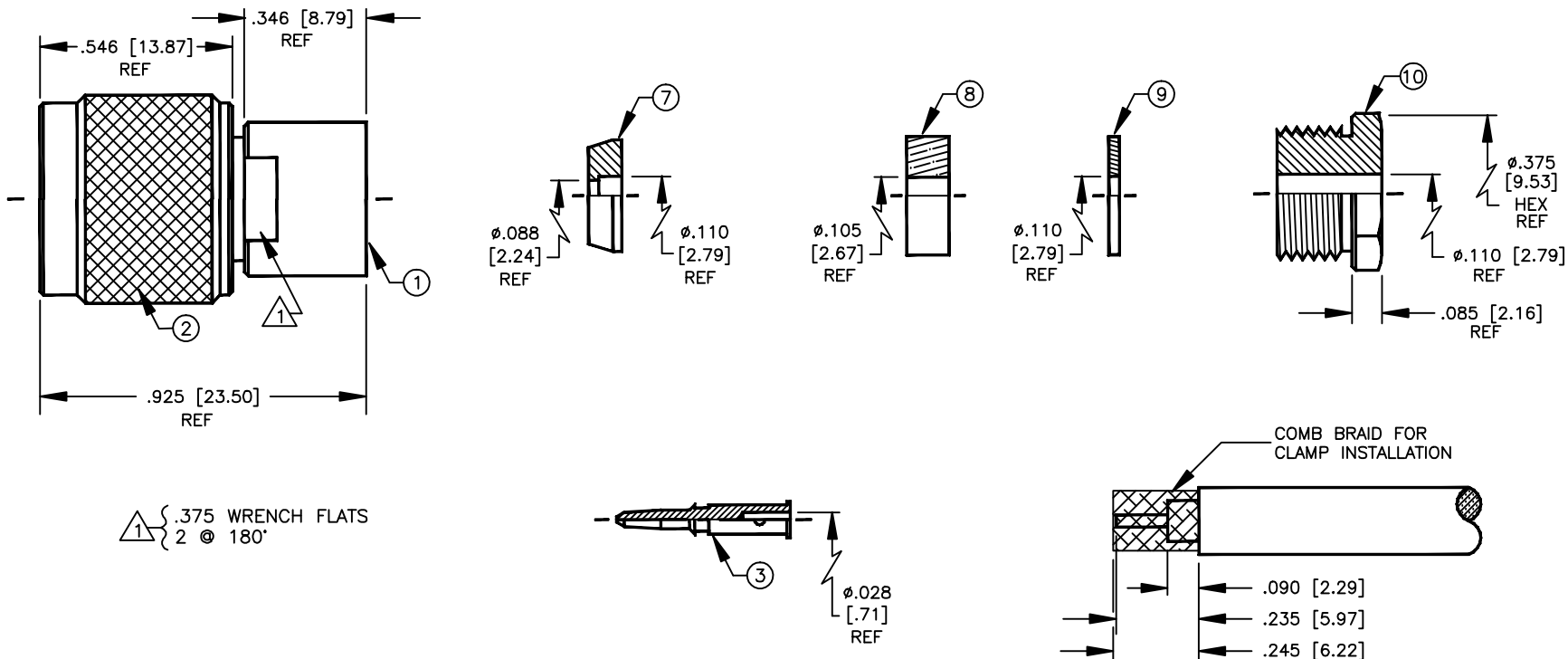


SPECIFICATION CONTROL DRAWING

THIS DRAWING CONTAINS INFORMATION PROPRIETARY TO RF INDUSTRIES, LTD. ANY UNAUTHORIZED USE OF THIS DRAWING IS EXPRESSLY PROHIBITED. ANY VIOLATION IS PUNISHABLE UNDER U.S. COPYRIGHT LAWS.

REV	DESCRIPTION	DWN	DATE	APPROVED
A	ENGINEERING RELEASE	KMM	9/8/94	C. JONES



SUGGESTED STRIPPING INSTRUCTIONS
SUGGESTED CRIMP: .068 (RFA-4005-01,-04,-07,-08 OR -09)

SPECIFICATIONS:

VOLTAGE RATING: 500 VOLTS RMS
FREQUENCY RANGE: 0-3 GHz
FOR RG-174, 188, 188A & 316/U CABLE

ITEM	DESCRIPTION	QTY	MATERIAL	FINISH
10	IN LINE NUT	1	BRASS	NICKEL
9	WASHER	1	BRASS	NICKEL
8	GASKET	1	S.I. RUBBER	BRT ORANGE
7	CLAMP	1	BRASS	NICKEL
6	RETAINING RING	1	QQB613 (BRASS)	NONE
5	GASKET	1	S.I. RUBBER	BRT ORANGE
4	DIELECTRIC	1	DELTRIN	NONE
3	PIN (PIN-302-12)	1	BRASS	GOLD
2	SHELL	1	BRASS	NICKEL
1	BODY	1	BRASS	NICKEL

DIMENSIONS ARE IN INCHES OVER MILLIMETERS.	
UNLESS OTHERWISE NOTED TOLERANCES ARE: DECIMALS ANGLES	
DRAWN K. MAXWELL	9/8/94
CHECKED	
ISSUED H. HILL	9/8/94
ORJ DRAWN K. MAXWELL	9/8/94
APPROVALS	DATE

RFconnectors
DIVISION OF RF INDUSTRIES, LTD.

7620 MIRAMAR RD
SAN DIEGO, CA 92126
(619)549-6340
(619)549-6345 FAX

RFS-2002

TNC MALE CLAMP SOLDER PLUG FOR RG-174/U
MODIFIED W/ METRIC THREADS FOR FCC REG 15

SIZE A	CABLE GROUP B	DWG NO. RFS-2002	REV A
SCALE: 2:1		CAD FILE ARC 165	SHEET 1 OF 1