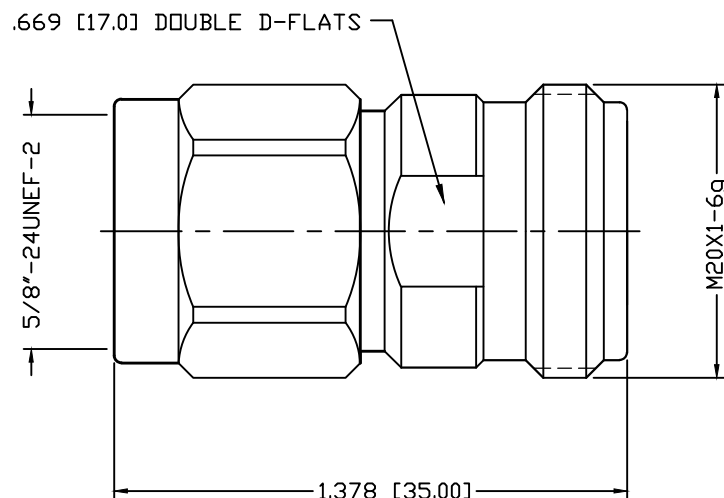


PART NO.

RFN-1048-4

REV	DESCRIPTION	DWN	DATE	APPROVED
A	UPDATED SPECS	CZS	03/26/14	JDMc

SPECIFICATIONS:

IMPEDANCE: 50 Ohms
 FREQUENCY RANGE: 0–7.5 GHz
 MAX. PIM: –160dBc MAX. (1900 MHz)
 VSWR: 0 TO 3 GHz <1.10:1
 VSWR: 3 TO 7.5 GHz <1.25:1
 INSERTION LOSS: 0.05 dB MAX. @ 3.0 GHz
 INSULATION RESISTANCE: 5K MOhms
 WORKING VOLTAGE: 1200 vrms MAX.
 MATING CYCLES: 500
 TEMPERATURE RANGE: –55°C TO 85°C

6	SHELL	1	BRASS	WHITE BRONZE
5	RETAINING RING	1	PHOS. BRONZE	----
4	GASKET	1	RUBBER	----
3	CONTACT	1	PHOS. BRONZE	SILVER
2	INSULATOR	1	PTFE	----
1	BODY	1	BRASS	WHITE BRONZE
#	DESCRIPTION	QTY	MATERIAL	FINISH

CUSTOMER
OUTLINE DRAWINGALL DIMENSIONS
ARE REFERENCE ONLYUNLESS OTHERWISE SPECIFIED:
DIMENSIONS ARE IN INCHES
AND [MILLIMETERS]

DRAWN	C. ZUNIGA	03/26/14
CHECKED		
ORJ DRAWN	C. ZUNIGA	03/18/14

**RoHS
COMPLIANT**

PROPRIETARY AND CONFIDENTIAL
 THIS DRAWING CONTAINS
 INFORMATION PROPRIETARY TO
 RF INDUSTRIES. ANY
 UNAUTHORIZED USE OF THIS
 DRAWING IS EXPRESSLY
 PROHIBITED WITHOUT WRITTEN
 PERMISSION FROM RF
 INDUSTRIES. ANY VIOLATION IS
 PUNISHABLE UNDER U.S.
 COPYRIGHT LAWS.

RFconnectors

7610 MIRAMAR RD.
 SAN DIEGO, CA 92126
 (858) 549-6340
 DIVISION OF RF INDUSTRIES, LTD. (858) 549-6345 FAX

N PLUG TO 4.1/9.5 JACK ADAPTER

SIZE	CABLE GROUP	DWG NO.	REV
A	N/A	RFN-1048-4	A
SCALE:	ENGINEERING ID:	SHEET 1 OF 1	
NTS	001787		