

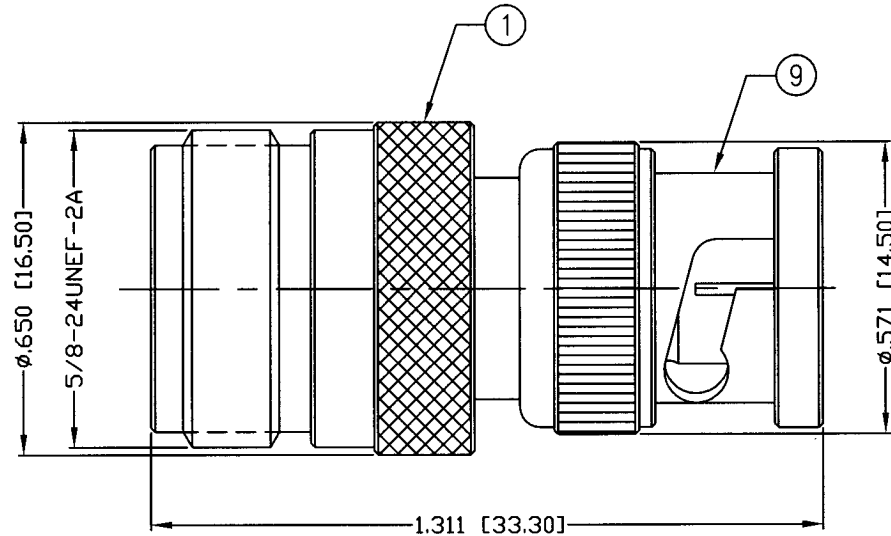
THIS DRAWING CONTAINS INFORMATION PROPRIETARY TO RF INDUSTRIES.  
 ANY UNAUTHORIZED USE OF THIS DRAWING IS EXPRESSLY PROHIBITED  
 WITHOUT WRITTEN PERMISSION FROM RF INDUSTRIES.  
 ANY VIOLATION IS PUNISHABLE UNDER U.S. COPYRIGHT LAWS.

ALL DIMENSIONS ARE REFERENCE ONLY

PART NO.

**RFN-1038-1 / UG349B/U**

REV	DESCRIPTION	DWN	DATE	APPROVED
-	ENGINEERING RELEASE	CZS	6/8/00	JDMc
A	UPDATE FORMAT & SPECS	GCG	1/23/02	JDMc



**SPECIFICATIONS:**

IMPEDANCE: 50 Ohms  
 FREQUENCY RANGE: 0-4 GHz  
 VSWR: 0-7 GHz, 1.08 MAX.  
 WORKING VOLTAGE: 500 V rms @ sea level  
 TEMPERATURE RANGE: -65°C TO 85°C  
 INSULATION RESISTANCE: 5k M Ohms min.

1	BODY	1	BRASS	SILVER, 5μ"
2	CONTACT	1	BRASS	GOLD, 3μ"
3	DIELECTRIC	1	PTFE	---
4	GROUND RING	1	BRASS	SILVER, 5μ"
5	WASHER	1	BRASS	SILVER, 5μ"
6	SPRING	1	SK-5	SILVER, 5μ"
7	LOCK WASHER	1	BRASS	SILVER, 5μ"
8	GASKET	1	RUBBER	---
9	SHELL	1	BRASS	SILVER, 5μ"
10				
11				
12				
13				
14				
#	DESCRIPTION	QTY	MATRL	FINISH

000486	
DRAWN	G. GALLEGOS
CHECKED	JDMc
ORJ DRAWN	C. ZUNIGA
APPROVALS	DATE
	1/23/02
	6/8/00

UNLESS OTHERWISE SPECIFIED:

1. REMOVE ALL BURRS
2. BREAK ALL CORNERS & EDGES .005 R. MAX.
3. CHAMFER 1ST & LAST THREADS 45°
4. SURFACE ROUGHNESS 63 FINISH MIL-STD-10
5. DIAMETERS ON COMMON CENTERS TO BE CONCENTRIC WITHIN .002 T.I.R.
6. ALL DIMENSIONS ARE AFTER PLATING.

DIMENSIONS ARE IN INCHES AND [MILLIMETERS]  
 UNLESS OTHERWISE NOTED TOLERANCES ARE:

DECIMALS	DIAMETER
.xxx±.003 [.08]	.xxx±.001 [.03]
.xx±.005 [.13]	.xx±.003 [.08]

**RF connectors**  
 DIVISION OF RF INDUSTRIES, LTD.

7610 MIRAMAR RD  
 SAN DIEGO, CA 92126  
 (858) 549-6340  
 (858) 549-6345 FAX

**N JACK TO BNC PLUG**

ADAPTER

SIZE	CABLE GROUP	DWG NO.	REV
A	N/A	RFN-1038-1	A
SCALE:	NTS	CAD FILE	OUTLINE
			SHEET 1 OF 1