

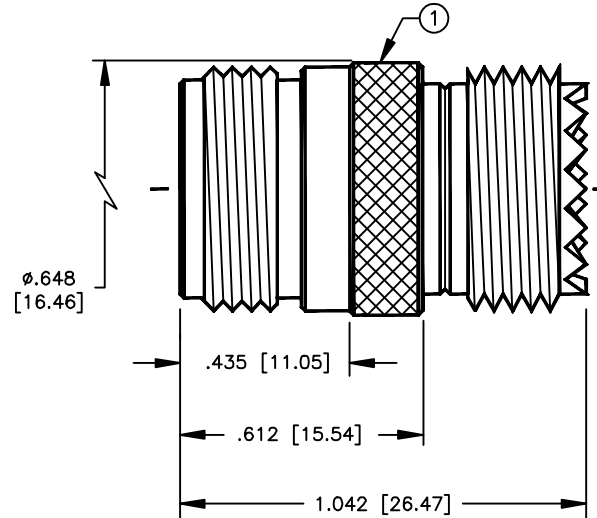
SPECIFICATION CONTROL DRAWING

THIS DRAWING CONTAINS INFORMATION PROPRIETARY TO RF INDUSTRIES, LTD. ANY UNAUTHORIZED USE OF THIS DRAWING IS EXPRESSLY PROHIBITED. ANY VIOLATION IS PUNISHABLE UNDER U.S. COPYRIGHT LAWS.

REV	DESCRIPTION	DWN	DATE	APPROVED
B2	STANDARDIZE PER MIL SPEC / RPLS DWG #7873	PB	4/13/93	C. JONES
C	CHG PLATING TO SILVER / STANDARDIZE BARRIER CONFIG UHF END	KMM	8/19/94	R. RICE
D	CHG TO 1 PIECE DIE / SEPARATE BODY VIEW / STANDARDIZE DWG	CZS	5/5/98	R. RICE
E	CONTACT NOW PHOS BRONZE / CHG CONTACT & DIE DIM	CZS	9/15/99	R. RICE

000000

ALL DIMENSIONS ARE REFERENCE ONLY



SPECIFICATIONS:

IMPEDANCE: NON CONSTANT
 WORKING VOLTAGE: 500 VRMS @ SEA LEVEL
 FREQUENCY RANGE: 0-300 MHZ
 INTERFACE PER MIL-STD-348, SECTION 304.2

DIMENSIONS ARE IN INCHES AND [MILLIMETERS]

UNLESS OTHERWISE NOTED TOLERANCES ARE:
 DECIMALS DIAMETER

DRAWN	C. ZUNIGA	9/15/99
CHECKED		
ORJ DRAWN	C. JONES	11/15/91

RF connectors
 DIVISION OF RF INDUSTRIES, LTD.

7610 MIRAMAR RD
 SAN DIEGO, CA 92126
 (858) 549-6340
 (858) 549-6345 FAX

RFN-1034-1 / UG-301

N FEMALE TO UHF FEMALE ADAPTER

ITEM	DESCRIPTION	QTY	MATERIAL	FINISH	APPROVALS	DATE
3	DIELECTRIC	1	PTFE	NONE		
2	CONTACT	1	PHOS BRONZE	GOLD		
1	BODY	1	BRASS	SILVER		

SIZE	CABLE GROUP	DWG NO.	REV
A	N/A	8072	E
SCALE:	2:1	CAD FILE	13ARC B
			SHEET 1 OF 1