

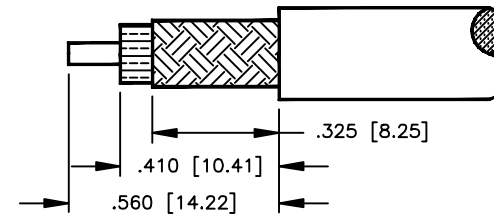
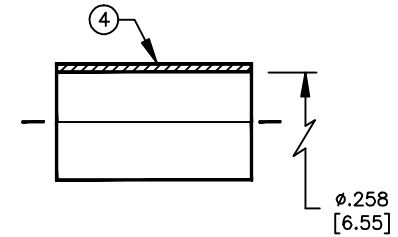
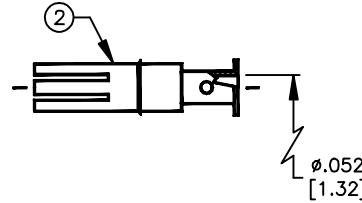
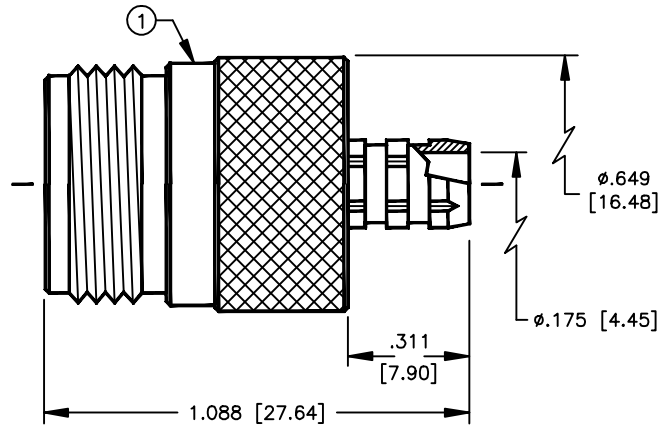
SPECIFICATION CONTROL DRAWING

THIS DRAWING CONTAINS INFORMATION PROPRIETARY TO RF INDUSTRIES, LTD. ANY UNAUTHORIZED USE OF THIS DRAWING IS EXPRESSLY PROHIBITED. ANY VIOLATION IS PUNISHABLE UNDER U.S. COPYRIGHT LAWS.

REV	DESCRIPTION	DWN	DATE	APPROVED
A	ENGINEERING RELEASE	PB	6/10/92	J. BENZ
B	DELETE PRESS FIT FERRULE STUD / ADD PRESS FIT SLEEVE	KMM	2/8/94	C. JONES
C	CHANGE BODY, PIN, DIE & STRIP INSTRUCTIONS DIMS	CZS	4/28/99	R. RICE

000000

ALL DIMENSIONS ARE REFERENCE ONLY



SUGGESTED STRIPPING INSTRUCTIONS
SUGGESTED CRIMP DIE: .068 & .255

SPECIFICATIONS:

IMPEDANCE: 50 OHMS
WORKING VOLTAGE: 1000 VRMS @ SEA LEVEL
FREQUENCY RANGE: 0-11 GHz
INSERTION LOSS: \leq -.2 dB @ 10 GHz
VSWR MAX: 1.3:1 @ 9 GHz
FOR ANTENNA SPECIALIST K214 & PRO-FLEX 800, TIMES AA3096 CABLE INTERFACE PER MIL-STD-348A, SECTION 304.2

DIMENSIONS ARE IN INCHES AND [MILLIMETERS]

UNLESS OTHERWISE NOTED TOLERANCES ARE:
DECIMALS DIAMETER

RF connectors
DIVISION OF RF INDUSTRIES, LTD.

7610 MIRAMAR RD
SAN DIEGO, CA 92126
(619)549-6340
(619)549-6345 FAX

RFN-1029-SP

N FEMALE CRIMP

ITEM	DESCRIPTION	QTY	MATERIAL	FINISH	APPROVALS	DATE
5	PRESS FIT SLEEVE	1	BRASS	SILVER		
4	FERRULE [FER-204]	1	BRASS	SILVER		
3	DIELECTRIC	1	PTFE	NONE		
2	CONTACT [CON-310-10]	1	BRASS	GOLD		
1	BODY	1	BRASS	SILVER		

DRAWN	C. ZUNIGA	4/28/99
CHECKED		
ORJ DRAWN	P. BREAUX	6/10/92
APPROVALS		

SIZE	CABLE GROUP	DWG NO.	REV
A	P	7603	C
SCALE:	2:1	CAD FILE	13ARC B
			SHEET 1 OF 1