

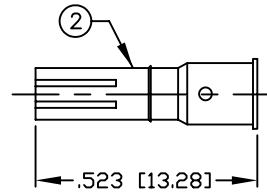
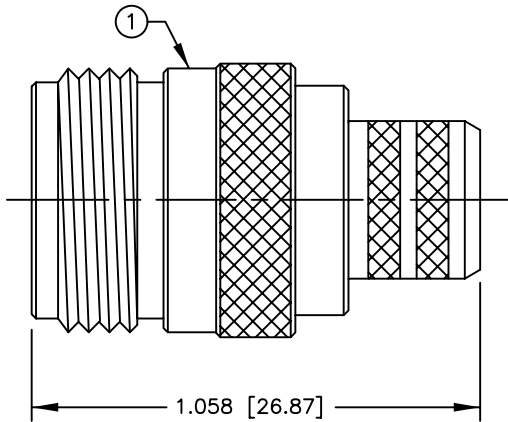
THIS DRAWING CONTAINS INFORMATION PROPRIETARY TO RF INDUSTRIES,
 ANY UNAUTHORIZED USE OF THIS DRAWING IS EXPRESSLY PROHIBITED
 WITHOUT WRITTEN PERMISSION FROM RF INDUSTRIES.
 ANY VIOLATION IS PUNISHABLE UNDER U.S. COPYRIGHT LAWS.

ALL DIMENSIONS ARE REFERENCE ONLY

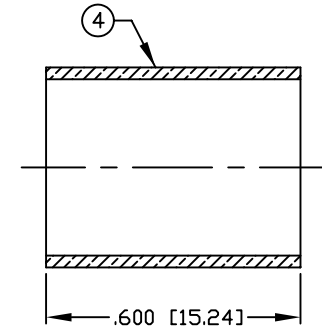
PART NO.

RFN-1028-1

REV	DESCRIPTION	DWN	DATE	APPROVED
-	ENGINEERING RELEASE	CZS	9/30/03	JDMc
A	ADD SOLDER ONLY NOTE	CZS	10/16/06	JDMc



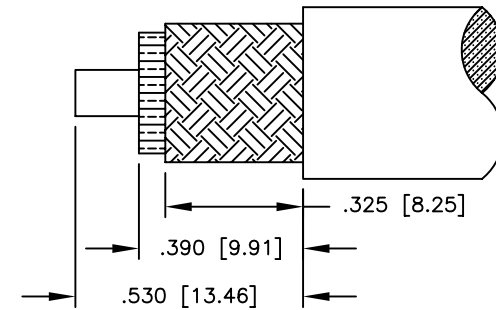
RECOMMENDED CRIMP DIE: .128"
 "SOLDER ONLY" FOR RG-8/U TYPE CABLE



RECOMMENDED CRIMP DIE: .429"

SPECIFICATIONS:

IMPEDANCE: 50 Ohms
 FREQUENCY RANGE: 0-11 GHz
 VSWR: 1.3 Max. @ 9 GHz
 INSERTION LOSS: .06 dB Max. X $\sqrt{f\text{GHz}}$
 WORKING VOLTAGE: 1k V rms @ sea level
 TEMPERATURE RANGE: -65°C TO 165°C
 INSULATION RESISTANCE: 5k M Ohms min.
 FOR BELDEN 8214, 9913, 9913F, 9914, RG-8/U TYPE,
 CAROL C1180, TIMES AA-5886 & LMR-400 CABLE



RECOMMENDED STRIPPING INSTRUCTIONS

1	BODY	1	BRASS	NICKEL, 100 μ "	000000	UNLESS OTHERWISE SPECIFIED:
2	CONTACT	1	Be.Cu.	GOLD, 30 μ "		
3	INSULATOR	1	PTFE	---		
4	FERRULE	1	BRASS	NICKEL, 100 μ "		
5	GROUND RING	1	Be. Cu.	NICKEL, 100 μ "		
6						
7						
8						
9						
10					DRAWN	DIMENSIONS ARE IN INCHES AND [MILLIMETERS] UNLESS OTHERWISE NOTED TOLERANCES ARE:
11					C. ZUNIGA	
12					CHECKED	
13						
14					ORJ DRAWN	DECIMALS
					C. ZUNIGA	DIAMETER
#	DESCRIPTION	QTY	MATERIAL	FINISH	APPROVALS	DATE

UNLESS OTHERWISE SPECIFIED:

DIMENSIONS ARE IN INCHES
AND [MILLIMETERS]
UNLESS OTHERWISE NOTED
TOLERANCES ARE:

DECIMALS DIAMETER



7610 MIRAMAR RD
 SAN DIEGO, CA 92126
 (858) 549-6340
 (858) 549-6345 FAX

N JACK, CRIMP

SIZE	CABLE GROUP	DWG NO.	REV
A	I	RFN-1028-1	A
SCALE:	NTS	CAD FILE	OUTLINE
			SHEET 1 OF 3