

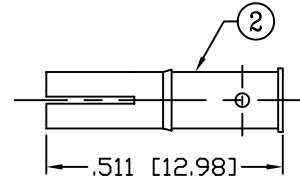
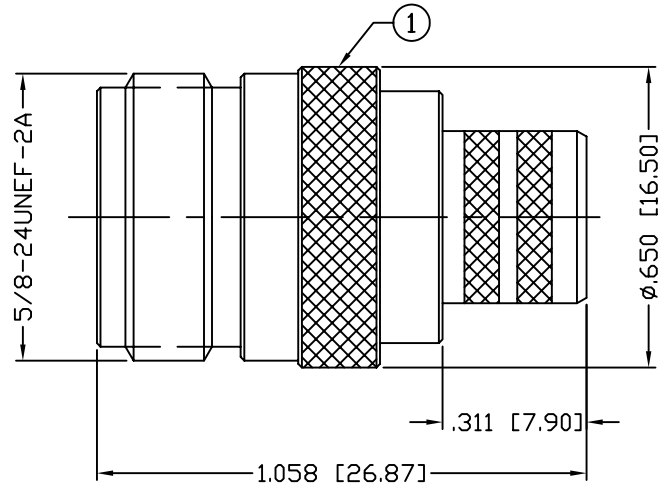
THIS DRAWING CONTAINS INFORMATION PROPRIETARY TO RF INDUSTRIES,  
 ANY UNAUTHORIZED USE OF THIS DRAWING IS EXPRESSLY PROHIBITED  
 WITHOUT WRITTEN PERMISSION FROM RF INDUSTRIES.  
 ANY VIOLATION IS PUNISHABLE UNDER U.S. COPYRIGHT LAWS.

PART NO.

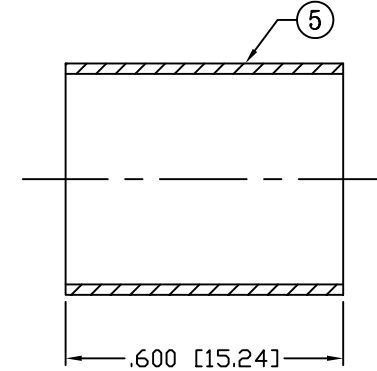
**RFN-1028-F**

REV	DESCRIPTION	DWN	DATE	APPROVED
-	ENGINEERING RELEASE	CZS	04/06/01	JDMc

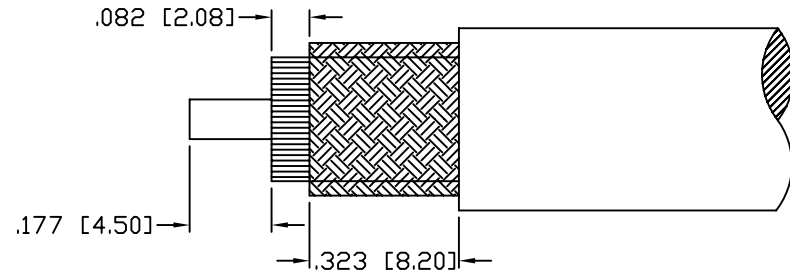
ALL DIMENSIONS ARE REFERENCE ONLY



RECOMMENDED CRIMP DIE: .100"



RECOMMENDED CRIMP DIE: .429"



RECOMMENDED STRIPPING DIMENSIONS

SPECIFICATIONS:

IMPEDANCE: 50 Ohms  
 FREQUENCY RANGE: 0-11 GHz  
 VSWR: 1.3 Max. @ 9 GHz  
 INSERTION LOSS: .06 dB Max.  $X\sqrt{fGHz}$   
 WORKING VOLTAGE: 1k V rms @ sea level  
 TEMPERATURE RANGE: -65°C TO 165°C  
 INSULATION RESISTANCE: 5k M Ohms min.  
 FOR RG-9, 9A, 9B & 214 BELDEN 8242 & 8268 CABLE

486-494

**RoHS  
 COMPLIANT**

**RF connectors**  
 DIVISION OF RF INDUSTRIES, LTD.

7610 MIRAMAR RD  
 SAN DIEGO, CA 92126  
 (858) 549-6340  
 (858) 549-6345 FAX

DIMENSIONS ARE IN INCHES  
 AND [MILLIMETERS]  
 UNLESS OTHERWISE NOTED  
 TOLERANCES ARE:  
 DECIMALS      DIAMETER

**N FEMALE, CRIMP**

#	DESCRIPTION	QTY	MATERIAL	FINISH	APPROVALS	DATE
5	FERRULE (FER-206)	1	BRASS	SILVER, 80μ"	DRAWN JDMc	8/18/10
4	GROUND RING	1	BRASS	SILVER, 80μ"	CHECKED	
3	INSULATOR	1	PTFE	---	ORJ DRAWN	10/01/07
2	CONTACT	1	PHOS BRONZE	GOLD, 30μ"	C. ZUNIGA	
1	BODY	1	BRASS	SILVER, 80μ"		

SIZE	CABLE GROUP	DWG NO.	REV
A	F	RFN-1028-F	-
SCALE: NTS		CAD FILE OUTLINE	SHEET 1 OF 1