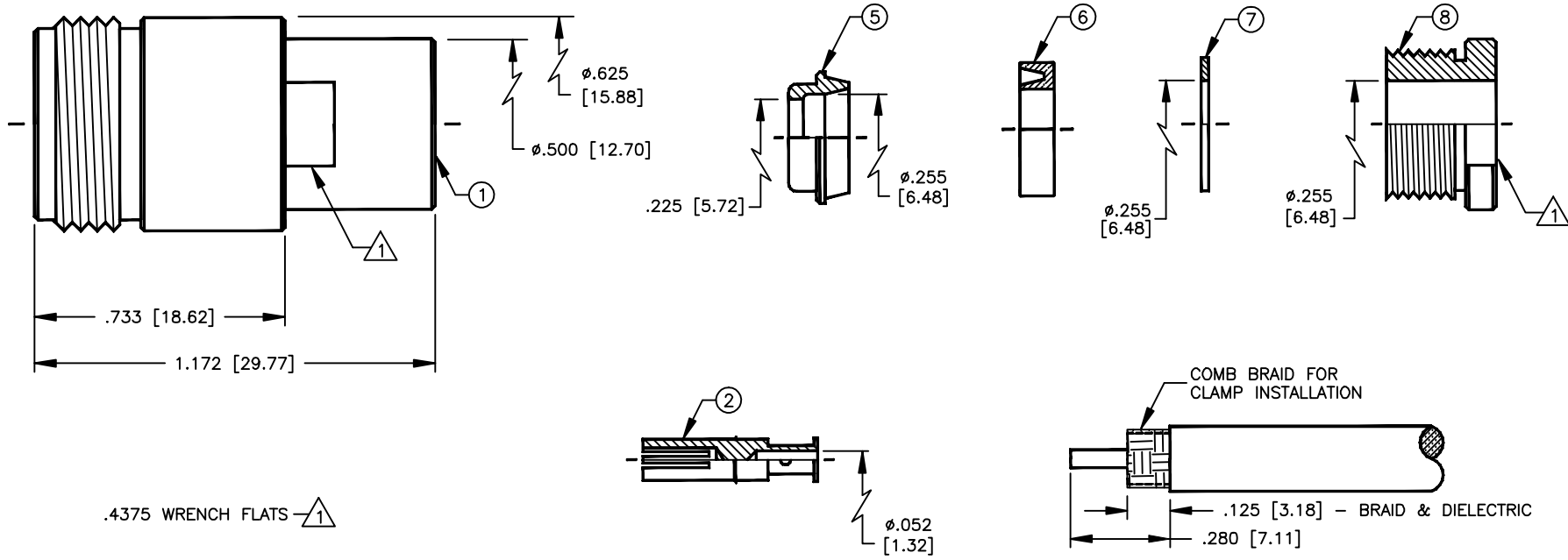


# SPECIFICATION CONTROL DRAWING

THIS DRAWING CONTAINS INFORMATION PROPRIETARY TO RF INDUSTRIES, LTD. ANY UNAUTHORIZED USE OF THIS DRAWING IS EXPRESSLY PROHIBITED. ANY VIOLATION IS PUNISHABLE UNDER U.S. COPYRIGHT LAWS.

REV	DESCRIPTION	DWN	DATE	APPROVED
A2	ENGINEERING RELEASE	PB	8/27/92	J. BENZ
A3	CLAMP ASSEMBLY REDESIGN	PB	9/14/92	J. BENZ
B	STANDARDIZE & UPDATE DRAWING	CZS	9/18/97	R. RICE

ALL DIMENSIONS ARE REFERENCE ONLY



## SPECIFICATIONS:

IMPEDANCE: 50 OHMS  
 WORKING VOLTAGE: 1000 VRMS @ SEA LEVEL  
 FREQUENCY RANGE: 0-11 GHz  
 INSERTION LOSS:  $\leq -0.2$  dB @ 10 GHz  
 VSWR MAX: 1.3:1 @ 9 GHz  
 FOR ANTENNA SPECIALIST K214 & PRO-FLEX 800, TIMES AA3096 & COMM/SCOPE 2278 & 2279 CABLE

SUGGESTED STRIPPING INSTRUCTIONS  
SUGGESTED CRIMP DIE: .068

ITEM	DESCRIPTION	QTY	MATERIAL	FINISH
8	BACK NUT	1	BRASS	SILVER
7	WASHER	1	BRASS	SILVER
6	GASKET	1	S.I. RUBBER	RED
5	CLAMP	1	BRASS	SILVER
4	PRESS FIT GND RING	1	BRASS	SILVER
3	DIELECTRIC	1	PTFE	NONE
2	CONTACT [CON-311-10]	1	BRASS	GOLD
1	BODY	1	BRASS	SILVER

DIMENSIONS ARE IN INCHES AND [MILLIMETERS]	
UNLESS OTHERWISE NOTED TOLERANCES ARE:	
DECIMALS	DIAMETER
DRAWN C. ZUNIGA	9/18/97
CHECKED	
ORJ DRAWN C. JONES	5/14/92
APPROVALS	DATE


 7610 MIRAMAR RD  
 SAN DIEGO, CA 92126  
 (619)549-6340  
 (619)549-6345 FAX

## RFN-1026-1P

N FEMALE CLAMP

SIZE A	CABLE GROUP P	DWG NO. 7678	REV B
SCALE: 2:1		CAD FILE 13ARC B	SHEET 1 OF 1