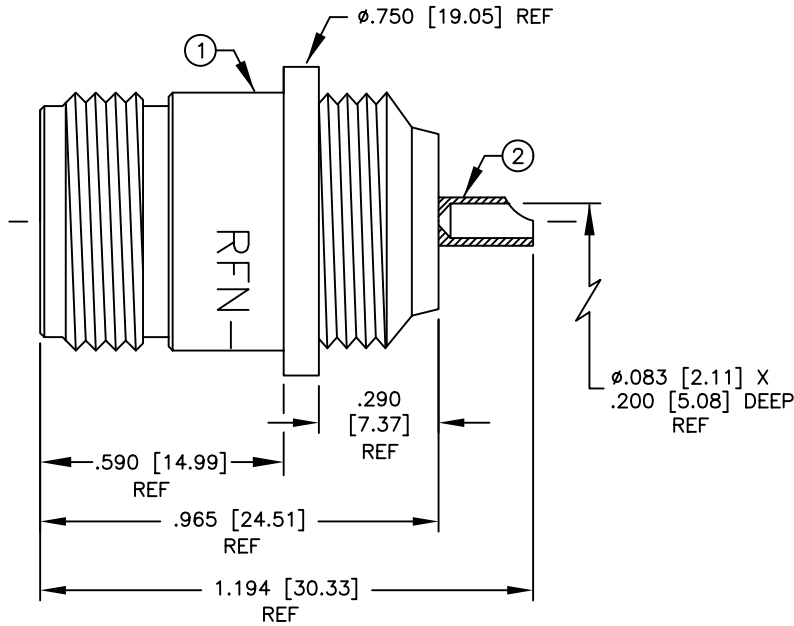


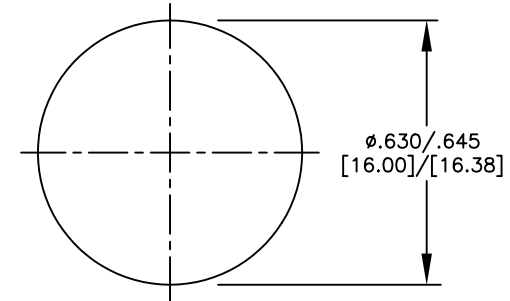
SPECIFICATION CONTROL DRAWING

THIS DRAWING CONTAINS INFORMATION PROPRIETARY TO RF INDUSTRIES, LTD. ANY UNAUTHORIZED USE OF THIS DRAWING IS EXPRESSLY PROHIBITED. ANY VIOLATION IS PUNISHABLE UNDER U.S. COPYRIGHT LAWS.

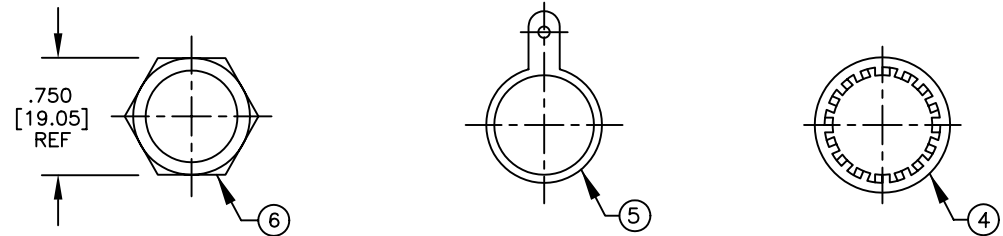
REV	DESCRIPTION	DWN	DATE	APPROVED
A	ENGINEERING RELEASE	KMM	8/23/94	R. RICE
B	MAKE 1 PC DIE, CHG CONTACT, SEPERATE SLG & LKW	BMA	3/14/97	R. RICE



SUGGESTED MOUNTING CONFIG



HARDWARE ITEMS (4) (5) (6)
NOT TO SCALE



SPECIFICATIONS:

IMPEDANCE: 50 OHMS
WORKING VOLTAGE: 1000 VRMS @ SEA LEVEL
FREQUENCY RANGE: 0-11 GHZ

DIMENSIONS ARE IN INCHES AND [MILLIMETERS]

UNLESS OTHERWISE NOTED TOLERANCES ARE:

DECIMALS DIAMETER

DRAWN B. ASHLEY 3/14/97

CHECKED

ORJ DRAWN K. MAXWELL 8/23/94

APPROVALS DATE

RF connectors
DIVISION OF RF INDUSTRIES, LTD.

7610 MIRAMAR RD
SAN DIEGO, CA 92126
(619)549-6340
(619)549-6345 FAX

RFN-1022

N FEMALE SINGLE HOLE BULKHEAD W/ NO D FLATS

SIZE A	CABLE GROUP N/A	DWG NO. 8369	REV B
-----------	--------------------	-----------------	----------

SCALE: 2:1 CAD FILE 13ARC B SHEET 1 OF 1

ITM	DESCRIPTION	QTY	MATERIAL	FINISH
6	HEX NUT [HEX-625-24E]	1	BRASS	SILVER
5	SOLDER LUG [SLG-630]	1	BRASS	SILVER
4	LOCK WASHER [LKW-630]	1	BRASS	SILVER
3	DIELECTRIC	1	* TEFLON	NONE
2	CONTACT	1	BRASS	GOLD
1	BODY	1	BRASS	SILVER