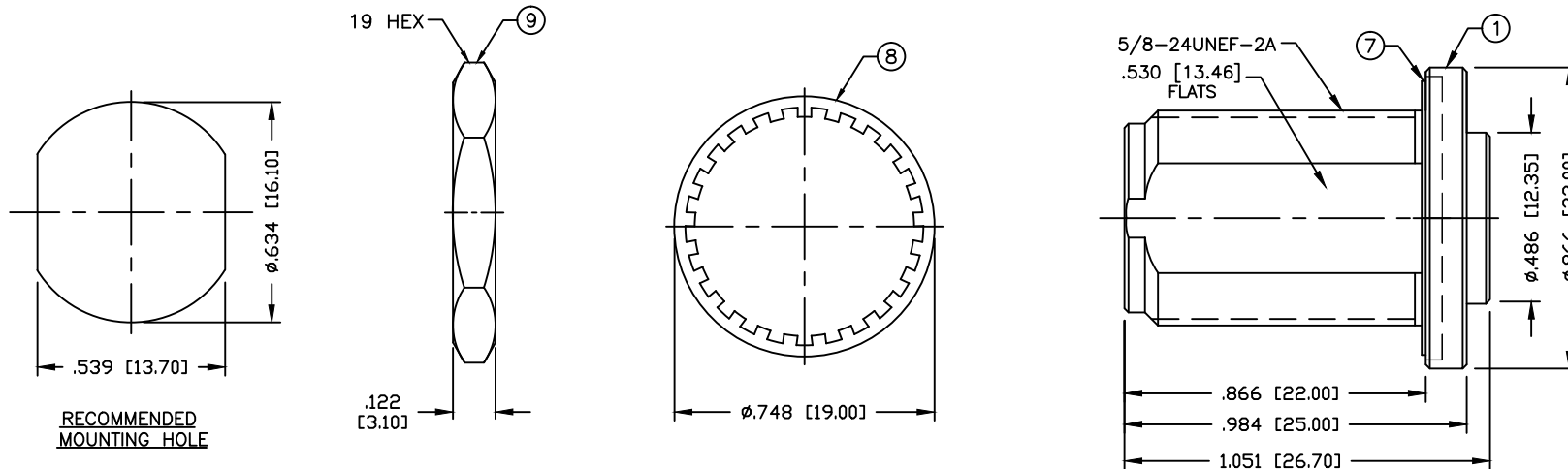


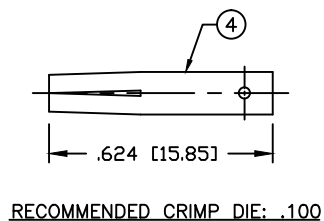
PART NO.

**RFN-1022-SR2**

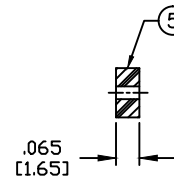
REV	DESCRIPTION	DWN	DATE	APPROVED
E	UPDATED BOM	CZS	04/04/17	JDMc

**SPECIFICATIONS:**

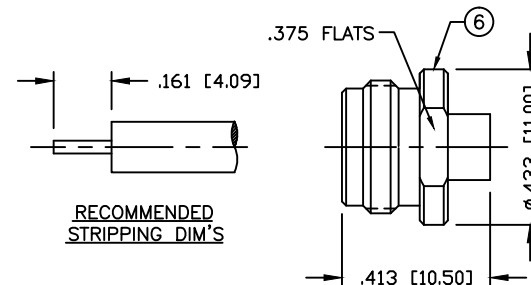
IMPEDANCE: 50 Ohms  
 FREQUENCY RANGE: 0-11 GHz  
 VSWR: 1.3 Max.  
 INSERTION LOSS: .06 dB Max.  $\times \sqrt{f\text{GHz}}$   
 WORKING VOLTAGE: 1k V rms @ sea level  
 TEMPERATURE RANGE: -65°C TO 165°C  
 INSULATION RESISTANCE: 5k M Ohms min.  
 FOR .141 SEMI RIGID, RG-402/U & BELDEN 1673A CABLE



RECOMMENDED CRIMP DIE: .100



RECOMMENDED STRIPPING DIM'S



#	DESCRIPTION	QTY	MATERIAL	FINISH
9	HEX NUT	1	BRASS	NICKEL, 100μ"
8	WASHER	1	BRASS	NICKEL, 100μ"
7	GASKET	1	SILICONE	---
6	SOLDER NUT	1	BRASS	GOLD, 3μ"
5	INSULATOR	1	PTFE	---
4	CONTACT	1	BRASS	GOLD, 3μ"
3	INNER BODY	1	BRASS	NICKEL, 100μ"
2	INSULATOR	1	PTFE	---
1	OUTER BODY	1	BRASS	NICKEL, 100μ"

CUSTOMER OUTLINE DRAWING	
ALL DIMENSIONS ARE REFERENCE ONLY	
UNLESS OTHERWISE SPECIFIED: DIMENSIONS ARE IN INCHES AND [MILLIMETERS]	
DRAWN	C. ZUNIGA
CHECKED	04/04/17
ORJ DRAWN	K. MAXWELL
	10/03/95

**RoHS COMPLIANT**

PROPRIETARY AND CONFIDENTIAL  
 THIS DRAWING CONTAINS INFORMATION PROPRIETARY TO RF INDUSTRIES. ANY UNAUTHORIZED USE OF THIS DRAWING IS EXPRESSLY PROHIBITED WITHOUT WRITTEN PERMISSION FROM RF INDUSTRIES. ANY VIOLATION IS PUNISHABLE UNDER U.S. COPYRIGHT LAWS.

**RFconnectors**  
 DIVISION OF RF INDUSTRIES, LTD. (858) 549-6345 FAX  
 7610 MIRAMAR RD.  
 SAN DIEGO, CA 92126  
 (858) 549-6340

**N JACK, BULKHEAD**  
DOUBLE D FLAT & GASKET

SIZE	CABLE GROUP	DWG NO.	REV
A	SR2	<b>RFN-1022-SR2</b>	E
SCALE:	ENGINEERING ID:	008974	SHEET 1 OF 1
NTS			