

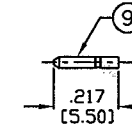
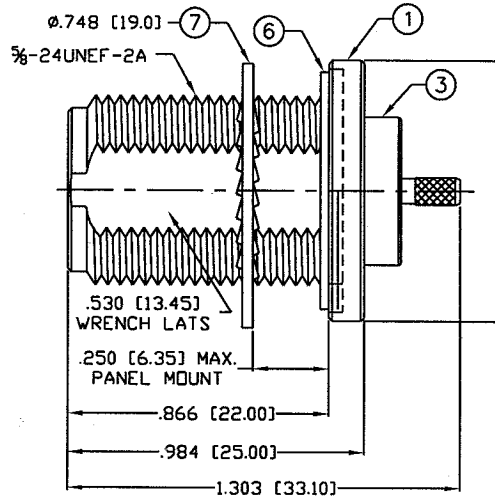
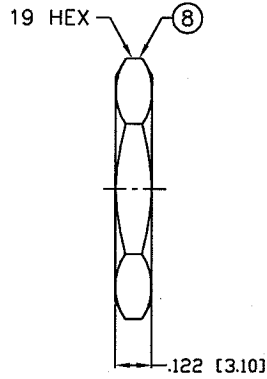
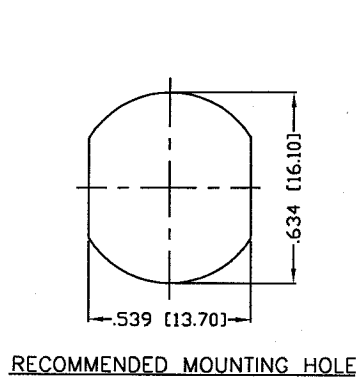
THIS DRAWING CONTAINS INFORMATION PROPRIETARY TO RF INDUSTRIES.
 ANY UNAUTHORIZED USE OF THIS DRAWING IS EXPRESSLY PROHIBITED
 WITHOUT WRITTEN PERMISSION FROM RF INDUSTRIES.
 ANY VIOLATION IS PUNISHABLE UNDER U.S. COPYRIGHT LAWS.

ALL DIMENSIONS ARE REFERENCE ONLY

PART NO.

RFN-1022-8-B1

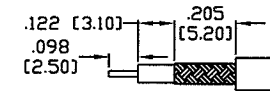
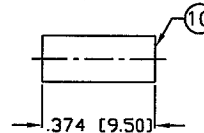
| REV | DESCRIPTION | DWN | DATE | APPROVED |
|-----|--|-----|---------|----------|
| A | ENGINEERING RELEASE | CZS | 1/20/98 | R. RICE |
| B | CHANGE FERRULE DIMS / REMOVE P/N | CZS | 6/3/99 | R. RICE |
| C | CHANGE FERRULE ID & LENGHT DIMS | CZS | 4/14/00 | R. RICE |
| D | CHANGE FERRULE LENGHT, DWG. # & DWG FORMAT | CZS | 6/21/01 | JDMc |



SOLDER PIN RECOMMENDED
 IF CRIMPING USE RFA-4089 CRIMP TOOL

SPECIFICATIONS:

IMPEDANCE: 50 OHMS
 FREQUENCY RANGE: 0-11 GHZ
 VSWR: 1.3 Max.
 INSERTION LOSS: .06 dB Max. $X\sqrt{f}$ GHZ
 WORKING VOLTAGE: 1k V rms @ sea level
 TEMPERATURE RANGE: -65°C TO 165°C
 INSULATION RESISTANCE: 5k M Ohms min.
 FOR RG-316/U DOUBLE SHIELD CABLE



| 1 | BODY | 1 | BRASS | NICKEL, 100μ" |
|----|--------------|-----|--------------|---------------|
| 2 | INSULATOR | 1 | PTFE | --- |
| 3 | FERRULE STUD | 1 | BRASS | NICKEL, 100μ" |
| 4 | CONTACT | 1 | PHOS. BRONZE | GOLD, 3μ" |
| 5 | INSULATOR | 1 | PTFE | --- |
| 6 | GASKET | 1 | SILICONE | --- |
| 7 | LOCK WASHER | 1 | BRASS | NICKEL, 100μ" |
| 8 | HEX NUT | 1 | BRASS | NICKEL, 100μ" |
| 9 | PIN | 1 | BRASS | GOLD, 3μ" |
| 10 | FERRULE | 1 | COPPER | NICKEL, 100μ" |
| 11 | | | | |
| 12 | | | | |
| 13 | | | | |
| 14 | | | | |
| # | DESCRIPTION | QTY | MATERIAL | FINISH |

| 008974 | | | |
|-----------|-----------|---------|--|
| DRAWN | C. ZUNIGA | 6/21/01 | |
| CHECKED | JDMc | 6-22-01 | |
| ORJ DRAWN | C. ZUNIGA | 1/20/98 | |
| APPROVALS | DATE | | |

UNLESS OTHERWISE SPECIFIED:

- REMOVE ALL BURRS
- BREAK ALL CORNERS & EDGES .005 R. MAX.
- CHAMFER 1ST & LAST THREADS 45°
- SURFACE ROUGHNESS 63 FINISH MIL-STD-10
- DIAMETERS ON COMMON CENTERS TO BE CONCENTRIC WITHIN .002 T.I.R.
- ALL DIMENSIONS ARE AFTER PLATING.

DIMENSIONS ARE IN INCHES AND [MILLIMETERS]
 UNLESS OTHERWISE NOTED TOLERANCES ARE:

| DECIMALS | DIAMETER |
|-----------------|-----------------|
| .xxx±.003 [.08] | .xxx±.001 [.03] |
| .xx±.005 [.13] | .xx±.003 [.08] |

RF connectors
 DIVISION OF RF INDUSTRIES, LTD.

7610 MIRAMAR RD
 SAN DIEGO, CA 92126
 (858) 549-6340
 (858) 549-6345 FAX

N JACK, CRIMP

BULKHEAD

| SIZE | CABLE GROUP | DWG NO. | REV |
|------|-------------|---------------|-----|
| A | B1 | RFN-1022-8-B1 | D |

SCALE: NTS CAD FILE OUTLINE SHEET 1 OF 1