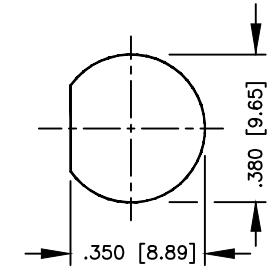
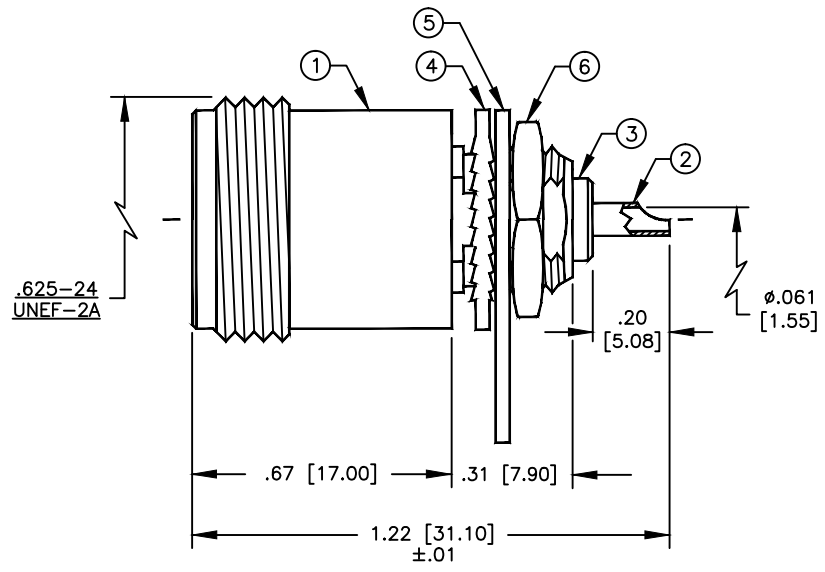


SPECIFICATION CONTROL DRAWING

THIS DRAWING CONTAINS INFORMATION PROPRIETARY TO RF INDUSTRIES, LTD. ANY UNAUTHORIZED USE OF THIS DRAWING IS EXPRESSLY PROHIBITED. ANY VIOLATION IS PUNISHABLE UNDER U.S. COPYRIGHT LAWS.

REV	DESCRIPTION	DWN	DATE	APPROVED
A	ENGINEERING RELEASE	CZS	12/1/98	R. RICE
B	CHANGE BODY AND DIE DIMENSIONS / CHG TOLERANCES	CZS	2/4/99	R. RICE
C	REV CHG DUE TO INTERNAL PAPER TRAIL	CZS	4/19/99	R. RICE

008974



SUGGESTED MOUNTING CONFIGURATION
MAXIMUM PANEL THICKNESS: .160 [4.06]

SPECIFICATIONS:

IMPEDANCE: 50 OHMS
WORKING VOLTAGE: 1000 VRMS @ SEA LEVEL
FREQUENCY RANGE: 0-11 GHz

DIMENSIONS ARE IN INCHES AND [MILLIMETERS]
UNLESS OTHERWISE NOTED TOLERANCES ARE:
DECIMALS DIAMETER

7610 MIRAMAR RD
SAN DIEGO, CA 92126
(858) 549-6340
(858) 549-6345 FAX

DIVISION OF RF INDUSTRIES, LTD.

ITEM	DESCRIPTION	QTY	MATERIAL	FINISH
7	PRESS FIT SLEEVE	1	BRASS	NICKEL
6	HEX NUT	1	BRASS	NICKEL
5	SOLDER LUG	1	BRASS	NICKEL
4	LOCK WASHER	1	BRASS	NICKEL
3	DIELECTRIC	1	PTFE	NONE
2	CONTACT	1	BeCu	GOLD
1	BODY	1	BRASS	NICKEL

DRAWN C. ZUNIGA	4/19/99
CHECKED	
ORJ DRAWN C. ZUNIGA	12/1/98
APPROVALS	DATE

RFN-1022-5-03

N FEMALE BULKHEAD

SIZE A	CABLE GROUP N/A	DWG NO. 8978	REV C
SCALE: 2:1		CAD FILE 13ARC B	SHEET 1 OF 1